



SURFACE OR FLANGE-MOUNTING 30-WATT OMNI-PURPOSE® LOUDSPEAKER

APW-30T



APW-30 Series

SPECIFICATIONS

Model:	APW-30T (25/70.7/100 xfmr)
Power Rating:	30 Watts continuous
Frequency Response:	350-12,000 Hz (nominal) 450-3,800 Hz (± 5dB)
Sensitivity (SPL):	125dB at 30 watts (peak) 120dB at 30 watts/1 meter (avg) 500-6,000 Hz 106dB at 1 watt/1 meter (avg) 500-6,000 Hz
Dispersion Angle:	60° x 75° (-6dB, 2000 Hz octave band)
Dimensions:	12"W x 6¾"H x 10⅝"D (305 x 171 x 270mm)
Weight:	5.3 lbs. (2.39kgs)
Finish:	Grey baked epoxy

ARCHITECT AND ENGINEER SPECIFICATIONS

Loudspeaker shall be Atlas Sound Model _____ APW-30T or approved equal. Continuous full-range audio power rating shall be 30 watts. Frequency response shall be 350-12,000 Hz (nominal), 450-3,800 Hz (+ 5dB). Sound pressure level shall be 120dB (30W/1M), 106dB (1W/1M). Permanent magnet assembly shall be supplied with a self-aligning field-replaceable diaphragm. APW-30T shall have impedance selection via seven position switch of 2500, 1300, 666, 333, 167, 89 and 45-ohms. Power taps shall be available at .9, 1.8, 3.7, 7.5, 15 watts for 25V line, 2, 3.8, 7.5, 15, 30 watts for 70.7V line and 4, 7.5, 15, 30 watts for 100V line. Loudspeaker shall be furnished with a mounting bracket allowing adjustment on the vertical and horizontal planes and include provisions for surface mounting, banding, or strapping. The weatherproof unit shall be constructed of metal and ABS plastic for environment-resistant outdoor or indoor application. Varnish impregnated line transformer with oversized windings and core, selector switch and driver unit shall be mounted within a weather-resistant housing. Finish shall be grey baked epoxy. Dimensions shall be 12"W x 6¾"H x 10⅝"D (305 x 171 x 270mm). Weight for APW-30T is 5.3 lbs. (2.39kgs).

ACCESSORIES



BX-2A. Vandal Resistant Cover Plate for Armored Cable and Conduit Connection. Constructed of Cast Aluminum.



APXB-G. Optional mounting base for a standard 1-gang
APXB-N. 2-gang, or 4" sq. E.O. box. (G-Grey, N-Neutral)

FEATURES

- High-Intelligibility Horn is Ideal for Commercial Sound, Intercom and Safety Signaling Use
- Wide Area Dispersion of 60° x 75° Provides Optimum Directed Sound
- ABS Plastic and Metal Construction Withstands Outdoor Environments and Demanding Indoor Applications
- Omni-Purpose Bracket Allows for Vertical or Horizontal Horn Positioning
- High-Efficiency Driver Provides High Sound Output with Minimal Amplifier Requirements

APPLICATIONS

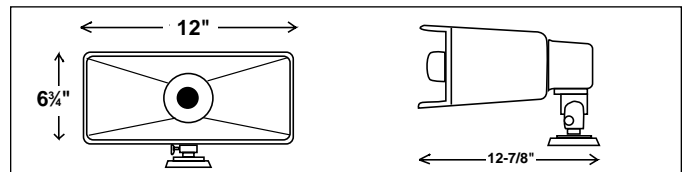
APW-30T 30-watt loudspeaker is a high-efficiency, double re-entrant unit that provides wide-area sound dispersion and clear intelligibility for life safety and communication system application. It offers superior voice reproduction and signal transmission for indoor or outdoor emergency alarm, protective signaling and intercom system installations. Model APW-30T may be surface or flange-mounted and is most commonly used in arenas, civic and recreational centers, gymnasiums, manufacturing facilities and other venues where broad dispersion and clear audibility are primary system requirements.

GENERAL DESCRIPTION

Atlas Sound Model APW-30T is a 25/70.7/100V transformer-equipped, double re-entrant loudspeaker. It offers optimum-directed and wide-angle sound dispersion for use with commercial sound, intercom and protective signal systems. The exponential flare-rate of the projector bell is engineered to increase frequency dispersion through a "diffraction effect" while retaining the space relationship required for good low-frequency reproduction. The APW-30T loudspeaker offers competitive pricing and acoustic properties that assure 30 watts of continuous power handling capacity, excellent acoustic conversion efficiency and the reliability of U.S. quality standards and craftsmanship.

Unit is finished in an aesthetically pleasing grey epoxy. Environment-resistant construction is ideal for use indoors or out. Model includes the Omni-Purpose mounting bracket with provisions for surface or strap mounting. It is equipped with an integral 3-way 25, 70.7, 100V transformer with Vari-Tap® control connect center. Transformer features a screwdriver-adjustable watts/impedance selection switch with weather-protected input terminals/cover and built-in cable strain relief.

For added versatility, Model APW-30T can be bulk-head mounted to any flat surface. The loudspeaker requires a 6½" x 11" cutout and may be mounted via four (4) pre-drilled holes with applicable hardware.

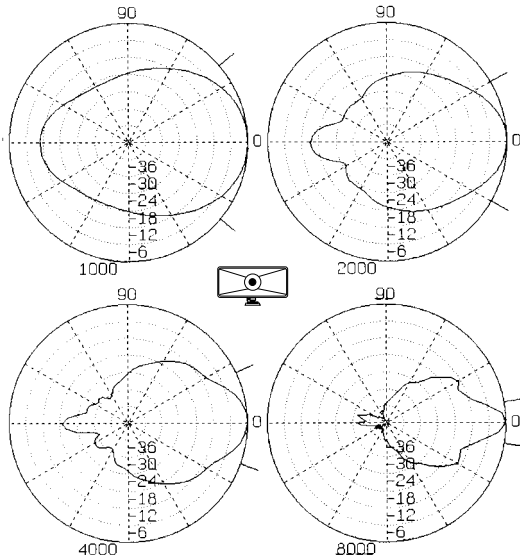


Specifications subject to change without notice

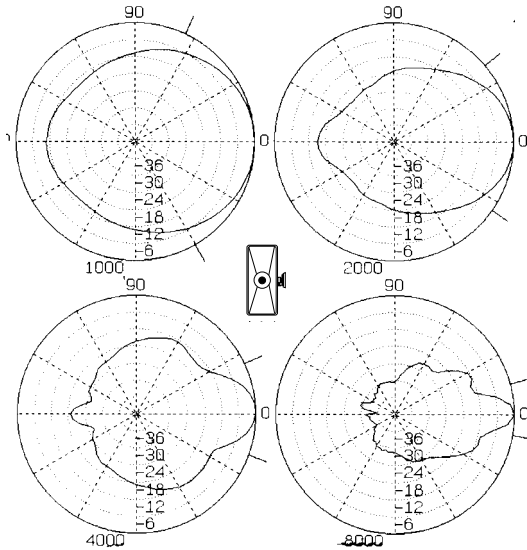


Northeast Total Communications

Toll free: (800)-362-7542 Fax: (215)-639-2476 E-mail: info@ntcinc.com

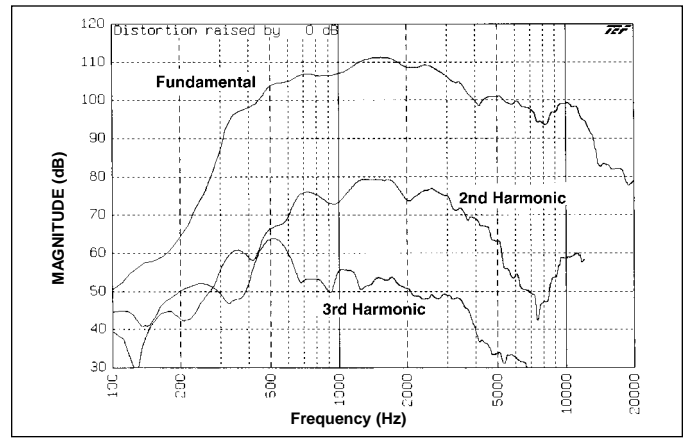


Horizontal Polars Are Normalized To Zero On Axis

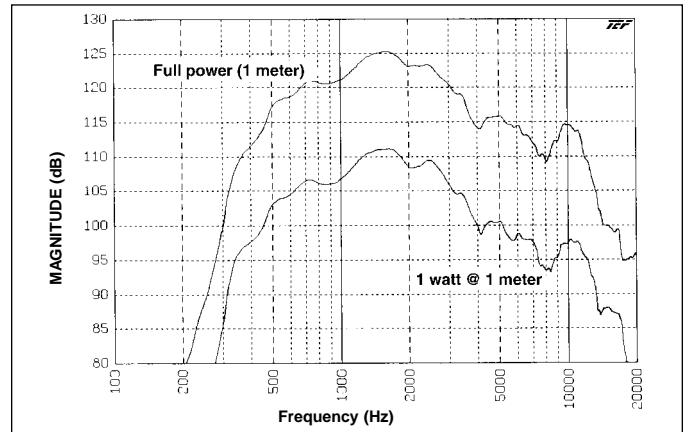


Vertical Polars Are Normalized To Zero On Axis

MODEL APW-30T				
Frequency	Q	Di	Beamwidth	
			Wide	Narrow
500	3.02	4.80	190	140
1000	6.57	8.18	125	80
2000	13.13	11.18	75	60
4000	23.39	13.69	45	45
8000	77.28	18.88	25	20



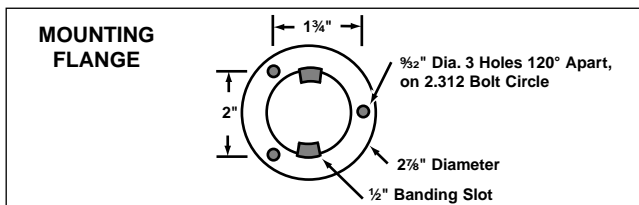
APW-30T Harmonic Distortion



APW-30T Frequency Response

APW-30T Vari-Tap® Control Connect Center Xfmr. Power Taps				
Switch Position	Impedance (Ohms)	Watts @ 25V	Watts @ 70.7V	Watts @ 100V
1	2,500	-	2	4
2	1,300	-	3.8	7.5
3	666	.09	7.5	15
4	333	1.8	15	30
5	167	3.7	30	X*
6	89	7.5	X*	X*
7	45	15	X*	X*

DRIVER PROTECTION: The horn loudspeaker should not be operated at frequencies outside the horn cut-off. It is suggested that any program material be high-passed at 300 Hz with a 6dB per octave filter. This can be done by a low level filter at the amplifier input or by a series capacitor at each loudspeaker. Electrolytic capacitors can be used but they must be non-polarized (See Typical Capacitor Values Chart).



TYPICAL CAPACITOR VALUES CHART	
8 Ohm Driver	- 70 mfd
25 Volt Line	- 30 mfd
70 Volt Line	- 4 mfd
100 Volt Line	- 2 mfd

Atlas Sound products are designed and tested in our well-equipped research laboratory which contains a fully anechoic chamber, complete analog Bruel & Kjaer measurement equipment and Techron® TEF 20® audio analyzer. Atlas Sound is proud to be a beta site for TEF software.

Specifications subject to change without notice



Northeast Total Communications

Toll free: (800)-362-7542 Fax: (215)-639-2476 E-mail: info@ntcinc.com



OMNI-PURPOSE® 30 WATT HORN LOUDSPEAKERS

AP-30, AP-30T(C)
AP-30T-25

TWO



AP-30 Series

TECHNICAL SPECIFICATIONS

Models:	AP-30, AP-30T(C), AP-30T-25
Power Rating:	30 Watts continuous
Frequency Response:	300-12,000 Hz (nominal) 500-4,500 Hz (± 5dB)
Sensitivity:	126dB 30 Watts (peak) 121dB 30 Watts/1 Meter (avg) 500-4500 Hz 108dB 1 Watt /1 Meter (avg) 500-4500 Hz
Dispersion Angle:	60° (-6dB, 2000 Hz octave band)
Weight:	AP-30 = 4.5 lbs (2.0kgs) AP-30T = 5 lbs (2.3kgs) AP-30T-25 = 5 lbs (2.3kgs)
Finish:	Baked epoxy
Dimensions:	10" W x 11" H x 10½" D

ARCHITECT AND ENGINEER SPECIFICATIONS

Loudspeakers shall be Atlas Sound Model _____ [AP-30 or AP-30T(C) AP-30T-25] or approved equal. Each loudspeaker shall be equipped with an integral compression driver within waterproof housing. The loudspeaker unit shall be constructed of structural aluminum with double re-entrant acoustic path and exponentially-flared outer bell. Power handling capability shall be 30 watts continuous. Frequency response range shall be 300-12,000 Hz (nominal), 500-4,500 Hz (+5dB). Sound pressure level shall be 121dB (30W/1M), 108dB (1W/1M). Sound dispersion angle shall be 60 degrees. Model AP-30 shall have voice coil impedance of 8 ohms. Models AP-30T and AP-30TC shall have impedance selection of 2500, 1300, 666, 333, 167, 89, 45 ohms for 25, 70.7, or 100V line. Power taps shall be available at .9, 1.8, 3.7, 7.5 and 15 watts for 25V line; 2, 3.8, 7.5, 15 and 30 watts for 70V line; 4, 7.7, 15 and 30 watts for 100V line. Model AP-30T-25 shall have selection of 500, 250, 125, 83, 42, 21-ohms for 25V line. Power taps shall be available at 1.2, 2.5, 5, 7.5, 15, 30 watts. Loudspeaker shall be furnished with mounting bracket allowing adjustment on the vertical and horizontal planes and shall include provisions for surface or strap mounting. Wiring terminals shall be enclosed. Units shall be weatherproof and constructed of metal and ABS plastic. Finish shall be grey or beige (C) baked epoxy as indicated. Dimensions shall be 10" W x 11" H x 10½"D.

FEATURES

- Superior intelligibility for voice and tone signaling
- Wide frequency response for optimum sound quality
- Environment resistant for outdoor & indoor use
- Omni-purpose mounting bracket for precise positioning
- Choice of 8-ohm or transformer equipped models for versatile 25, 70.7, or 100V line applications
- U. S. Trademark design is world recognized for quality and dependability
- Available in grey or beige (C) finish where noted

APPLICATIONS

All-purpose, environment resistant 30-Watt AP-30 Series loudspeakers provide cost effective high-intelligibility voice and signal transmission for high power indoor and outdoor public address, intercom, security, alarm, or industrial signal systems. Units incorporate high-efficiency compression drivers to project through high ambient sound levels, over long distances and in wide open areas with fewer loudspeakers. The AP-30 Series is renowned in the industry as the "professional standard" for applications such as commercial buildings, distribution centers, industrial warehouses, institutions, civic centers and recreational facilities.

GENERAL DESCRIPTION

The 8-ohm Model AP-30 and transformer-equipped Models AP-30T and AP-30T-25 are double re-entrant loudspeakers which deliver 30 watts of continuous power handling, superior intelligibility and unparalleled audio conversion-efficiency. The AP-30 Series operates within a nominal frequency range of 300-12,000 Hz and offers a sensitivity of 126dB at rated power to provide clear voice and signal communication.

Models AP-30T and AP-30T-25 each feature an integral transformer to meet a variety of distributed system needs. The AP-30T is equipped with a versatile, 3-way, 25, 70.7, 100V line transformer, while Model AP-30T-25 includes a 25V only line transformer. Transformers are adjustable using Atlas Sound's exclusive Vari-Tap® Connect Center which features a 7-position, watts / impedance selection switch. The labor saving Vari-Tap terminal is screwdriver adjustable and includes a protective cover with built-in strain relief.

The trademarked square bell design signifies Atlas Sound quality and reliability. The Omni-Purpose mounting bracket (included on all models) allows precise positioning in the vertical and horizontal planes with a single adjustment and provides for installation of the loudspeaker on conventional surfaces or by strap-mounting to I-beams or pillars. AP Series loudspeakers are U.S. made to assure superior service reliability. Weather-resistant construction is metal and matching ABS plastic with metal components finished in grey epoxy (standard) or beige epoxy if suffixed with (C) where noted.

ACCESSORIES



BX-1A. Vandal Resistant Cover Plate for Armored Cable and Conduit Connection. Constructed of Cast Aluminum.



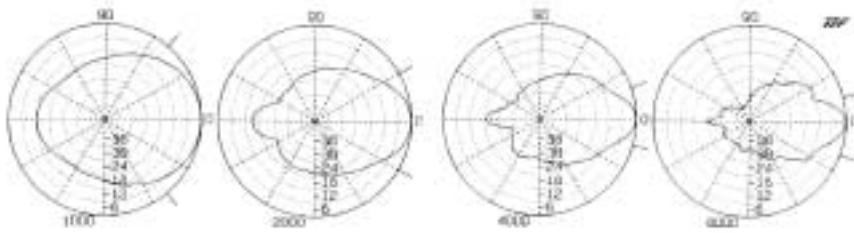
APXB-G. Optional mounting base for a standard 1-gang
APXB-N. 2-gang, or 4" sq. E.O. box. (G-Grey, N-Neutral)

Specifications subject to change without notice



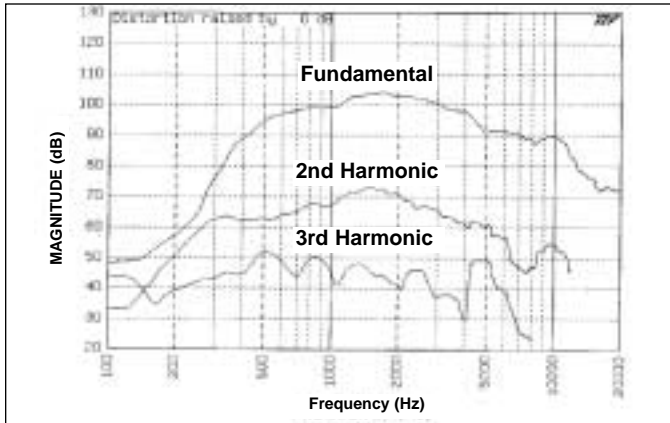
Northeast Total Communications

Toll free: (800)-362-7542 Fax: (215)-639-2476 E-mail: info@ntcinc.com

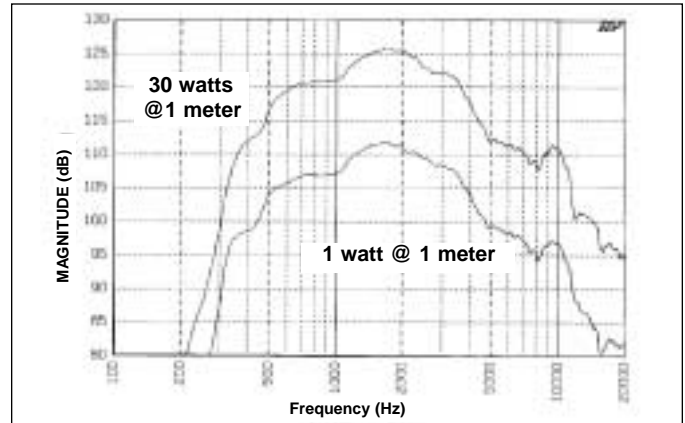


Polars Are Normalized To Zero On Axis

Frequency (Hz)	Q	Di	Beamwidth (Degrees)
500	3.09	4.89	160
1000	7.33	8.65	100
2000	17.84	12.51	60
4000	35.02	15.44	35
8000	48.15	16.83	35



AP-30(T) (Harmonic Distortion - 1.5 watts @ 1 meter)

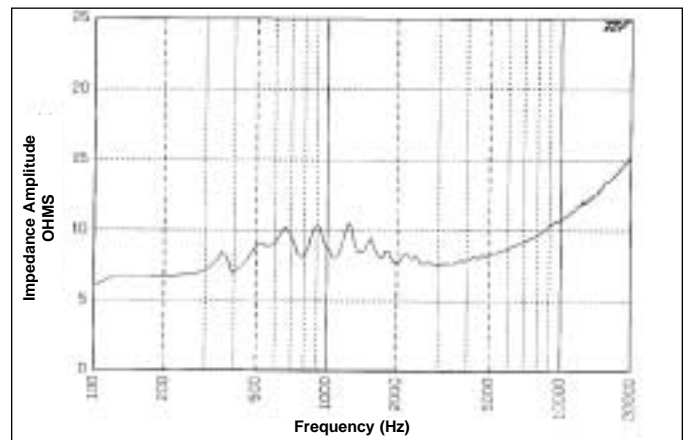


AP-30(T) Frequency Response

DRIVER PROTECTION: The horn loudspeaker should not be operated at frequencies outside the specified range, especially below horn cut-off. It is suggested that any program material be high-passed at 300 Hz with a 6dB per octave filter. This can be done by a low level filter at the amplifier input or by a series capacitor at each loudspeaker (See *Typical Capacitor Values Chart*).

TYPICAL CAPACITOR VALUES			
8 Ohm Driver	25 Volt Line	70 Volt Line	100 Volt Line
70 mfd	30 mfd	4 mfd	2 mfd

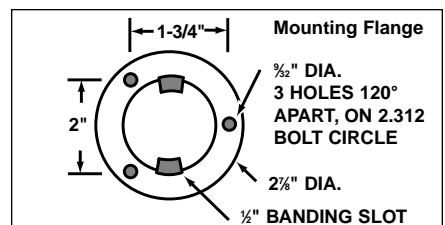
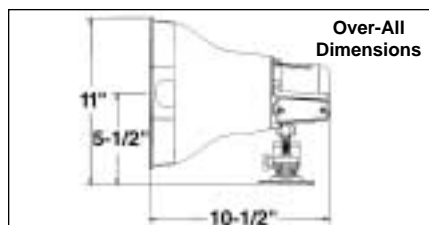
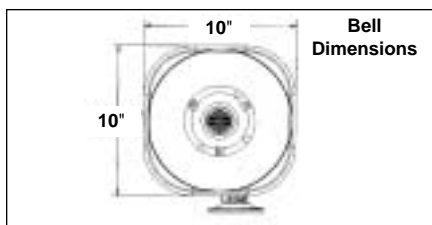
Electrolytic capacitors can be used but they must be non-polarized



AP-30 (Impedance Sweep)

Switch Position	AP-30(T)(C) Vari-Tap® Control Connect Center Xfmr. Power Taps			AP-30T-25 Xfmr. Power Taps		
	Impedance Watts (Ohms) @ 25V	Watts @ 70.7V	Watts @ 100V	Impedance Watts (Ohms) @ 25V	Watts @ 25V	
1	2,500	—	2	4	500	1.2
2	1,300	—	3.8	7.7	250	2.5
3	666	0.9	7.5	15	125	5
4	333	1.8	15	30	83	7.5
5	167	3.7	30	X*	42	15
6	89	7.5	X*	X*	21	30
7	45	15	X*	X*	—	—

*Do not use



Atlas Sound products are designed and tested in our well-equipped research laboratory which contains a fully anechoic chamber, complete analog Bruel & Kjaer measurement equipment and Techtron® TEF 20® audio analyzer. Atlas Sound is proud to be a beta site for TEF software.

Specifications subject to change without notice



Northeast Total Communications

Toll free: (800)-362-7542 Fax: (215)-639-2476 E-mail: info@ntcinc.com



OMNI-PURPOSE® 30 WATT WIDE ANGLE HORN LOUDSPEAKER

APC-30T

TWO



APC-30T

TECHNICAL SPECIFICATIONS

Model:	APC-30T (25V, 70V, 100V xfmr)
Power Rating:	30 watts
Frequency Response:	300 - 12,000 Hz (Nominal) 400 - 3,000 Hz (+5dB)
Sensitivity (SPL):	122dB at 30 watts (peak) 119dB at 30 watts / 1 meter (avg) 400-3,000 Hz 109dB at 1 watt / 1 meter (avg) 400-3,000 Hz
Dispersion Angle:	70° x 95° (-6dB, 2 kHz octave band)
Dimensions:	14 ³ / ₈ "W x 8 ¹ / ₄ "H x 12 ⁷ / ₈ "D (365 x 210 x 327mm)
Weight:	8.0 lbs. (3.7kgs)
Finish:	Grey baked epoxy

ARCHITECT AND ENGINEER SPECIFICATIONS

Loudspeaker shall be Atlas Sound Model _____ transformer-equipped APC-30T or approved equal. Weatherproof unit shall be a double re-entrant type design with audio power capability of 30 watts (continuous). Frequency response shall be 300-12,000 Hz (nominal), 400-3,000 Hz (+5dB). Sound pressure level shall be 119dB (30W/1M), 109dB (1W/1M). Dispersion shall be 70° x 95° (-6dB, 2 kHz octave band). Voice coil impedance shall be 8-ohms. Model APC-30T shall be equipped with transformer having impedance selection via seven-position switch with 2500, 1300, 666, 333, 167, 89 and 45 ohms. Power taps shall be available at 0.9, 1.8, 3.7, 7.5, 15 watts on 25V line, 2, 3.8, 7.5, 15, 30 watts on 70V line and 4, 7.7, 15, 30 watts on 100V line. Unit shall be furnished with self-aligning, field-replaceable diaphragm and Omni-Purpose® mounting bracket. Bracket allows adjustment in the vertical and horizontal planes and includes provisions for surface mounting, banding, or strapping. Unit shall be constructed of environment-resistant polycarbonate plastic, treated heavy-gauge aluminum and structural aluminum die-casting. Finish shall be grey baked epoxy. APC-30T weighs 8 lbs. and measures 14³/₈"W x 8¹/₄"H x 12⁷/₈"D (365 x 210 x 327mm).

ACCESSORIES



BX-2A. Vandal Resistant Cover Plate for Armored Cable and Conduit Connection. Constructed of Cast Aluminum.



APXB-G. Optional mounting base for a standard 1-gang
APXB-N. 2-gang, or 4" sq. E.O. box. (G-Grey, N-Neutral)

FEATURES

- High-Powered Compression Driver Projects Superior Voice and Tone Signalling
- Wide-Angle Sound Dispersion for Maximum Horizontal Pattern Coverage
- One-Step Method of Adjusting Bell from Horizontal to Vertical Positioning Increases Sound Angling Versatility
- Includes a 25, 70.7, 100V Transformer with a 45-Ohm Tap

APPLICATIONS

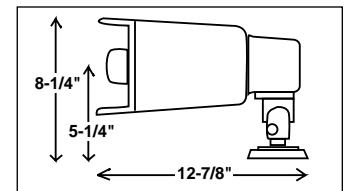
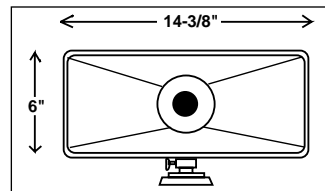
APC-30T 30-watt loudspeaker features an exponential-shape bell with 75° x 95° wide-angle sound dispersion for voice and signal messages. The bell may easily be rotated with one turn of the loudspeaker tip to loosen or tighten. This exclusive feature provides precise horizontal or vertical pattern control for most coverage areas. Install the highly efficient units in manufacturing facilities, commercial buildings, service/distribution centers, recreation areas and civic sites where public address messages and emergency evacuation warnings are communicated. Use these sturdy units for indoor or outdoor applications where clear communication and weather-resistant performance are required.

GENERAL DESCRIPTION

Atlas Sound transformer-equipped Model APC-30T offers 30 watts of handling capability. It features an integral high-efficiency compression driver consisting of a 1¹/₂" voice coil, a phenolic diaphragm and a ferrite magnet for extended reliability and performance. The wide-angle bell is engineered to increase frequency dispersion while retaining low frequency response. The exponential flare of the projector bell also allows for sound directivity. Unique design also provides for maximum sound angle projection in the horizontal or vertical plane by loosening the horn loudspeaker tip, changing horn orientation.

Model APC-30T includes a built-in transformer featuring the exclusive Vari-Tap® Control Connect Center. Simply use a screwdriver to adjust the 7-position watts/impedance switch or use the 45-ohm tap for intercom and talk-back use.

Engineered for durability, this loudspeaker requires little or no maintenance. It features the cast aluminum Omni-Purpose® mounting bracket for precise positioning in vertical and horizontal planes with a single adjustment. The bracket includes provisions for secure installation of the loudspeaker to conventional surfaces as well as for strap-mounting to I-beams and pillars. Assemblies are manufactured of polycarbonate plastic and structural aluminum with a grey baked epoxy finish.



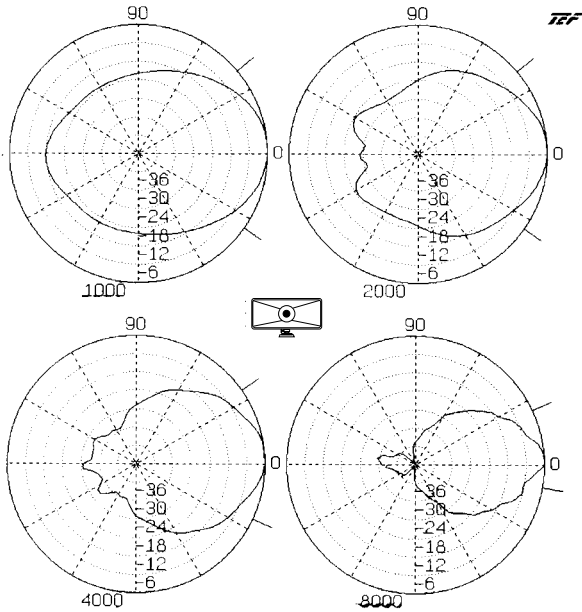
Specifications subject to change without notice



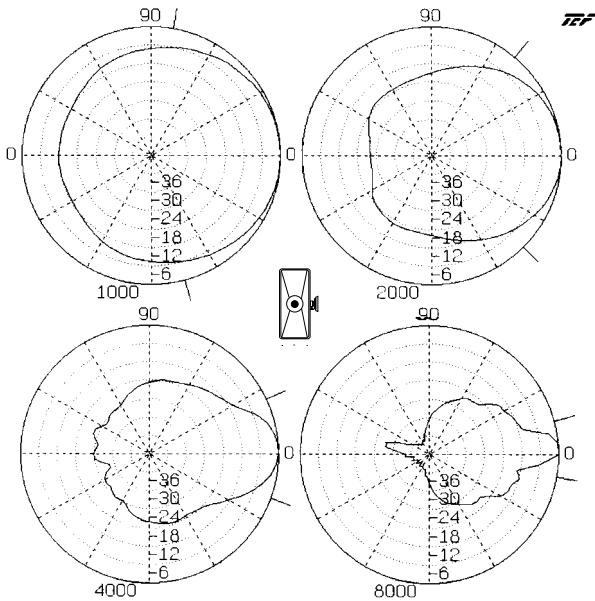
Northeast Total Communications

Toll free: (800)-362-7542 Fax: (215)-639-2476 E-mail: info@ntcinc.com

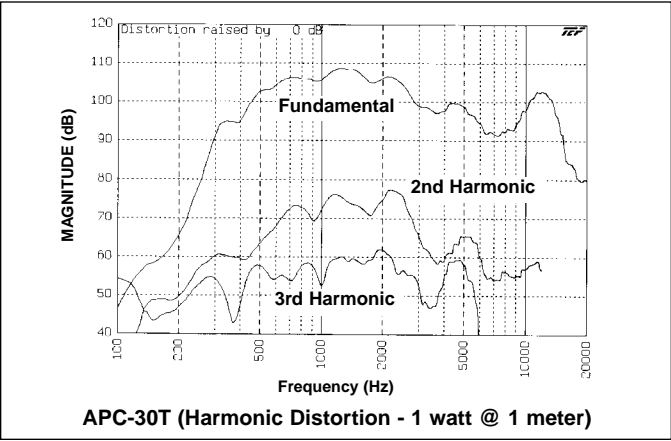
121



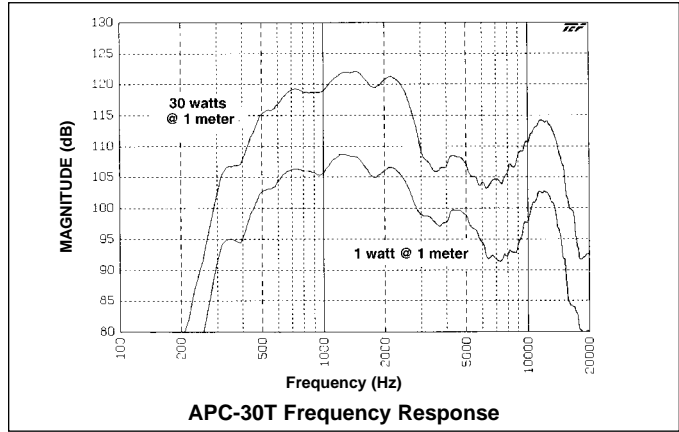
Horizontal Polars Are Normalized To Zero On Axis



Vertical Polars Are Normalized To Zero On Axis



APC-30T (Harmonic Distortion - 1 watt @ 1 meter)



APC-30T Frequency Response

APC-30T Vari-Tap® Control Connect Center Xfmr. Power Taps				
Switch Position	Impedance (Ohms)	Watts @ 25V	Watts @ 70.7V	Watts @ 100V
1	2,500	—	2	4
2	1,300	—	3.8	7.7
3	666	.09	7.5	15
4	333	1.8	15	30
5	167	3.7	30	X*
6	89	7.5	X*	X*
7	45	15	X*	X*

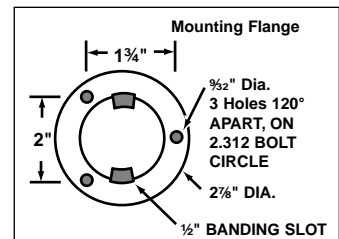
(* Do Not Use)

DRIVER PROTECTION: The horn loudspeaker should not be operated at frequencies outside the horn cut-off. It is suggested that any program material be high-passed at 300 Hz with a 6dB per octave filter. This can be done by a low level filter at the amplifier input or by a series capacitor at each loudspeaker. Electrolytic capacitors can be used but they must be non-polarized.

(See Typical Capacitor Values Chart.)

Frequency	MODEL APC-30T			
	Q	Di	Beamwidth	
			Wide	Narrow
500	3	5	115	245
1000	5	7	75	155
2000	10	10	75	95
4000	12	11	60	45
8000	42	16	35	25

TYPICAL CAPACITOR VALUES CHART	
8 Ohm Driver	70 mfd
25 Volt Line	30 mfd
70 Volt Line	4 mfd
100 Volt Line	2 mfd



Atlas Sound products are designed and tested in our well-equipped research laboratory which contains a fully anechoic chamber, complete analog Bruel & Kjaer measurement equipment and the TEF 20® audio analyzer. Atlas Sound is proud to be a beta site for TEF® software.

Specifications subject to change without notice



Northeast Total Communications

Toll free: (800)-362-7542 Fax: (215)-639-2476 E-mail: info@ntcinc.com



OMNI-PURPOSE® 30-WATT BI-DIRECTIONAL LOUDSPEAKERS

APT-34T



APT-34T Series

TECHNICAL SPECIFICATIONS

Model:	APT-34T
Power Rating:	30 Watts
Frequency Response:	400-12,500 Hz (Nominal) 450-12,500 Hz (± 5dB)
Sensitivity:	119dB 30 Watts (peak) 112dB 30 Watts /1 Meter (avg) 450-12,500 Hz 101dB 1 Watt /1 Meter (avg) 450-12,500 Hz
Dispersion Angle:	175° (-6dB, 2000 Hz octave band)
Dimensions:	16½" L x 9¾" Dia. (419 x 248mm)
Weight:	9 lbs. (4.1kgs)
Finish:	Baked epoxy

ARCHITECT AND ENGINEER SPECIFICATIONS

Loudspeaker shall be bidirectional, twin projector Atlas Sound _____ (Model APT-34T) or approved equal. Full range audio power rating shall be 30 watts. Frequency response shall be 400 -12,500 Hz (nominal), 450-12,500 Hz (+5dB). Sound pressure level shall be 112dB (30W/1M), 101dB (1W/1M). Sound dispersion of the double re-entrant type dual-exponential bells shall be 175° in each direction. Model shall have impedance selection via seven position switch including a 45-ohm tap. Power taps shall be available at 0.9, 1.8, 3.7, 7.5, 15 watts on 25V line, 2, 3.8, 7.5, 15 and 30 watts on 70V line and 4, 7.7, 15 and 30 watts on 100V line. For wiring and vandalism protection, Atlas Sound _____ (Model BX-1A) armored cable adapter and _____ (Model AD-17) ½" diameter pipe thread adapter or approved equals shall be available where specified. Finish shall be grey baked epoxy. Dimensions shall be 16½" (419mm) long x 9¾" (248mm) bell diameter. Weight shall be 9 lbs. (4.1kg).

FEATURES

- Twin Reflex Projectors Provide High Efficiency Bi-directional Sound Dispersion
- Element Resistant Construction for Indoor or Outdoor Installations
- Built-In 25, 70.7, 100V Transformer with Seven-Position, Impedance Switch for Application Versatility
- Omni-Purpose Mounting Bracket for Positioning Flexibility on Vertical or Horizontal Planes
- Optional Accessories for Vandalism Protection

APPLICATIONS

Surface mounting loudspeaker utilizes a single driver and twin projector to provide cost-efficient, bi-directional sound dispersion. Environment resistant assembly is recommended for paging, talkback, security and tone signaling in corridors, stairwells, walkways, under eaves and along building perimeters of transportation platforms, warehouses, loading docks, parking lots, garages, sports and recreational facilities.

GENERAL DESCRIPTION

Atlas Sound Model APT-34T is a high-intelligibility loudspeaker with a single compression driver which delivers 30 watts of power and 175° sound dispersion in opposite directions. It incorporates the exclusive Vari-Tap®-control connect center, which features a built-in 25, 70.7, 100V transformer and a seven-position watts/impedance switch (screwdriver adjustable) with a 45-ohm tap. Model APT-34T is environment-resistant and includes a protective terminal cover with built-in cable strain relief for versatile indoor/outdoor intercom and signaling use. The single adjustment Omni-Purpose mounting bracket provides positioning flexibility on conventional surface installations (vertical and horizontal planes) and includes provisions for strap-mounting to I-beams or pillars. Dimensions are 16½" L x 9¾" Dia. (419 x 248mm). For cable/conduit installations, vandal-resistant cover plate Model BX-1A and ½" dia. pipe thread adapter Model AD-17 are available. APT-34T is finished in durable grey epoxy. Weight is 9 lbs.(4.1kg).

ACCESSORIES



BX-2A. Vandal Resistant Cover Plate for Armored Cable and Conduit Connection. Constructed of Cast Aluminum.



APXB-G. Optional mounting base for a standard 1-gang
APXB-N. 2-gang, or 4" sq. E.O. box. (G-Grey, N-Neutral)

Specifications subject to change without notice

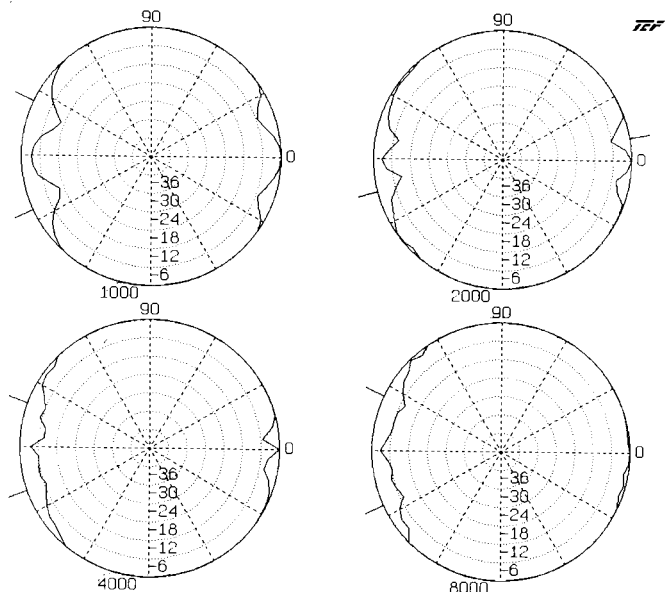


Northeast Total Communications

Toll free: (800)-362-7542 Fax: (215)-639-2476 E-mail: info@ntcinc.com

TWO

125



Polars Are Normalized To Zero On Axis

MODEL APT-34T			
Frequency	Q	Di	Beamwidth
1000	2	3	310
2000	3	6	175
4000	5	7	320
8000	7	9	310

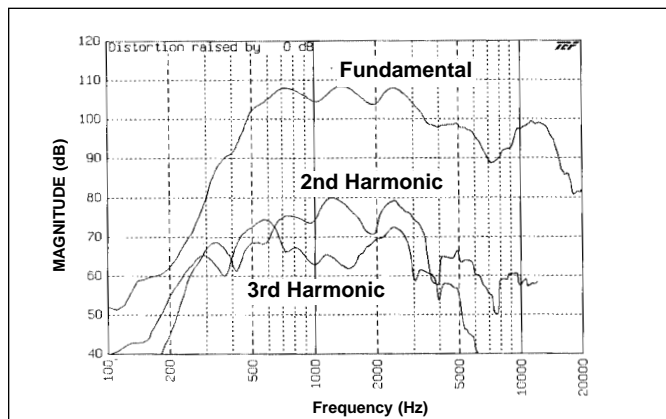
DRIVER PROTECTION: The horn loudspeaker should not be operated at frequencies outside the horn cut-off. It is suggested that any program material be high-passed at 300 Hz with a 6dB per octave filter. This can be done by a low level filter at the amplifier input or by a series capacitor at each loudspeaker. Electrolytic capacitors can be used but they must be non-polarized.

(See Typical Capacitor Values Chart.)

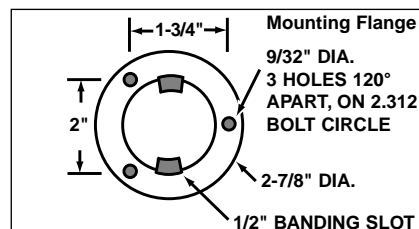
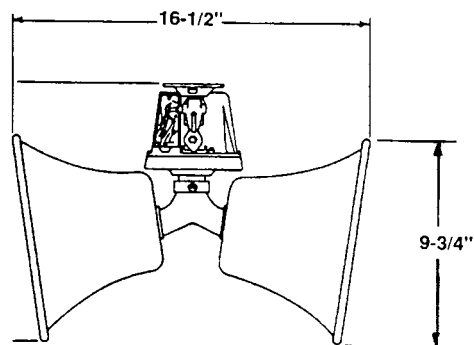
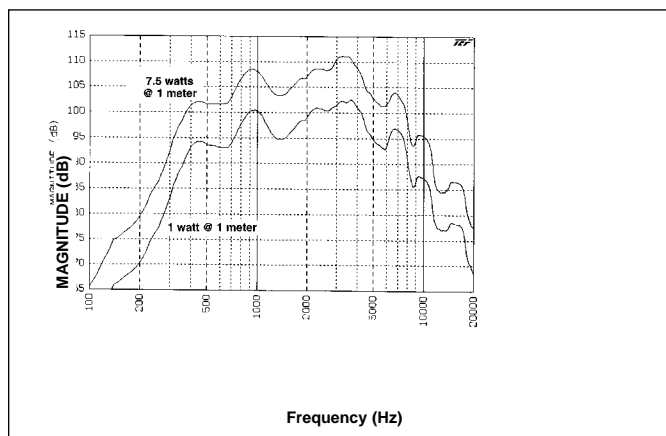
TYPICAL CAPACITOR VALUES			
8 Ohm Driver	25Volt Line	70Volt Line	100Volt Line
70 mfd	30 mfd	4 mfd	2 mfd

Electrolytic capacitors can be used but they must be non-polarized

APT-34T Vari-Tap® Control Connect Center Xfmr. Power Taps				
Switch Position	Impedance (Ohms)	Watts @ 25V	Watts @ 70.7V	Watts @ 100V
1	2,500	-	1.8	4
2	1,300	-	3.7	7.7
3	666	0.9	7.5	15
4	333	1.8	15	30
5	167	3.7	30	X*
6	89	7.5	X*	X*
7	45	15	X*	X*



APT-34T (Harmonic Distortion - 1.5 watts @ 1 meter)



Atlas Sound products are designed and tested in our well-equipped research laboratory which contains a fully anechoic chamber, complete analog Bruel & Kjaer measurement equipment and Techron® TEF 20® audio analyzer. Atlas Sound is proud to be a beta site for TEF software.

Specifications subject to change without notice



Northeast Total Communications

Toll free: (800)-362-7542 Fax: (215)-639-2476 E-mail: info@ntcinc.com



60 AND 30 WATT EXPLOSION-PROOF LOUDSPEAKERS

HLE/MLE Series



HLE-1 Driver



HLE-1 Driver mounted to HLE/MLE-30 Horn
(order separately)



HLE-1 Driver mounted to HLE/MLE-32
Horn (order separately)

FEATURES

- Explosion-Proof Loudspeakers for Signal and Communications Systems
- Listed by UL and CSA for Use in Hazardous/Combustible Environments (noted models)
- Available with Internally Mounted, Factory-Installed Transformer
- Choice of 60 or 30 Watt High-Intelligibility Driver in Cast Aluminum Housing
- Efficiency of Reflex-Style Projectors with Wide Angle or Circular Sound Dispersion

APPLICATIONS

Install HLE or MLE Series loudspeakers to efficiently and safely communicate in combustible and dust-filled areas. All drivers comply with the regulations governing electrical equipment at hazardous locations as set forth by the National Electric Code. Drivers are listed by UL and CSA (HLE Series only). They are recommended for paging, signal and voice communication in chemical processing, petroleum, natural resource exploration and atmospheres as listed in the chart below.

GENERAL DESCRIPTION

Series HLE and MLE loudspeakers are explosion-proof compression driver/horn assemblies engineered for high-efficiency voice and electronic signal communication in hazardous areas. Drivers, which are protected within a rugged die-cast aluminum housing, are available in 60-watt (HLE Series) and 30-watt (MLE Series) power handling versions. Models with T suffix include a factory-installed, internally mounted transformer (Note: To meet UL requirements transformer must be factory installed). All models are equipped with 1/2" conduit access and an adjustable mounting bracket.

Projector horns are available in two styles to meet dispersion requirements. Model HLE/MLE-30 is a high-quality, polycarbonate projector that creates a 120° x 60° pattern for wide area coverage. Model HLE/MLE-32 is a spun aluminum bell providing a 95° circular distribution emphasis.

Note: – For Canadian use (Price List page 17 Text)

Drivers and projector horns are ordered and shipped separately. For performance accuracy, specifications are listed for assembled configurations.

MODEL		POWER RATING	FREQ. RESPONSE	SOUND LEVEL*	SENSITIVITY**	DISPERSION	IMPEDANCE	INTERNAL XFMR ("T" versions only)	ASSEMBLY SIZE
DRIVER	HORN								
HLE-1(T)	HLE/MLE-30	60 Watts	250 Hz-12 kHz	109dB	-18dBm	120° x 60°	16 Ohms	60 Watt Model T-18	Driver & Horn 14"W x 6"H x 17 1/2"D (35.6 x 15.2 x 44.5cm)
HLE-3(T)	HLE/MLE-30	Cont.		108dB					
MLE-1(T)	HLE/MLE-30	30 Watts	300 Hz-14 kHz	107dB	-21dBm	120° x 60°	8 Ohms	30 Watt Model T-20	
MLE-3(T)	HLE/MLE-30	Cont.		106dB					
HLE-1(T)	HLE/MLE-32	60 Watts	190 Hz-12 kHz	112dB	-16dBm	95°	16 Ohms	60 Watt Model T-18	Driver & Horn 16 1/2" Dia. x (42 x 54.6cm)
HLE-3(T)	HLE/MLE-32	Cont.		111dB					
MLE-1(T)	HLE/MLE-32	30 Watts	200 Hz-10 kHz	110dB	-20dBm	95°	8 Ohms	30 Watt Model T-20	
MLE-3(T)	HLE/MLE-32	Cont.		110dB					

* Measured 1 Watt / 1 Meter.
** As microphone; re 10 dynes / cm²

UNDERWRITERS' LABORATORY LISTINGS

DRIVER	CLASS / GROUP	FOR ATMOSPHERE CONTAINING:
HLE-1(T) MLE-1(T)	Class 1 / Group C & D	Gas Atmospheres (Including Ethyl, Ether, Gasoline Naphtha, Alcohols)
HLE-3(T) MLE-3(T)	Class 1 / Group B, C & D	Gas Atmospheres (Including Ethyl, Ether, Gasoline Naphtha, Alcohols, Butane, Propane) plus, Hydrogen, Gas and Vapor, (Manufactured Gas)

Specifications subject to change without notice



Northeast Total Communications

Toll free: (800)-362-7542 Fax: (215)-639-2476 E-mail: info@ntcinc.com

ARCHITECT AND ENGINEER SPECIFICATIONS

Explosion proof loudspeaker shall be UL Listed for use in specified hazardous locations and/or combustible atmospheres as classified by the National Electric Code.

UL approved compression driver for 60-watt distributed application shall be Atlas Sound Model HLE-1T or HLE-3T with internally mounted 60-watt transformer Model T-18. Transformer shall have primary impedance taps at 2000, 1000, 500, 250, 125 and 85 with a 45 ohm tap for 45 ohm line use only. Corresponding power taps for 70.7 volt line use shall be 2.5, 5, 10, 20, 40 and 60. Secondary impedance shall be 4, 8 and 16 ohms. *For voice-coil circuit applications, UL Listed 60-watt Model HLE-1, or HLE-3 with 16 ohm voice coil shall be specified.*

UL approved compression driver for 30-watt distributed application shall be Atlas Sound Model MLE-1T or MLE-3T with internally mounted 30 watt transformer Model T-20. Transformer shall have primary impedance taps at 2500, 1300, 666, 333, 167, 89 and 45 ohms.

Corresponding power taps for 70.7 volt line use shall be 1.8, 3.7, 7.5, 15 and 30. Power taps for 25 volt line shall be 1.89, 3.7, 7 and 15. Secondary impedance shall be 8 ohms. *For voice-coil circuit applications, UL Listed 30-watt Model MLE-1, or MLE-3 with 8 ohm voice coil shall be specified.*

Driver and transformer, where applicable, shall be mounted within a heavy, cast aluminum housing. Voice coils shall be field-replaceable. Projector horn shall be a reflex type with polycarbonate re-entrant section. It shall be Atlas Sound Model HLE/MLE-30 for 120° x 60° sound dispersion or HLE/MLE-32 for 95° sound coverage. Driver and horn assembly shall have a frequency response of _____ with sensitivity of _____(measured at 10 dynes / cm²). Sound pressure level shall be a minimum of _____(measured at 1W/1M).

Specifications subject to change without notice



Northeast Total Communications

Toll free: (800)-362-7542 Fax: (215)-639-2476 E-mail: info@ntcinc.com