



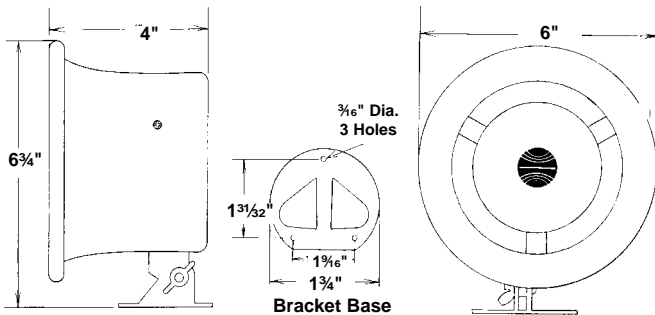
ENVIRONMENT RESISTANT 7.5 WATT MUSIC LOUDSPEAKERS

WR-5
WR-5T

TWO



WR-5



TECHNICAL SPECIFICATIONS

Models:	WR-5 (8 ohm) WR-5T (70.7V transformer)
Power Rating:	7.5 watts
Frequency Response:	375-10,000 Hz (nominal) 400-7,800 Hz (± 5 dB)
Sensitivity (SPL):	111dB at 7.5 watts (peak) 105dB at 7.5 watts/1 meter (avg) 400-7,800 Hz 97dB at 1 watt/1 meter (avg) 400-7,800 Hz
Dispersion Angle:	95° (-6dB, 2 kHz octave band)
Impedance:	WR-5 = 8 ohms
Dimensions:	6"W x 6 3/4"D x 4"H (152 x 171 x 102mm)
Weight:	WR-5 = 2 lbs. (1 kgs) WR-5T = 2 1/2 lbs. (1.13 kgs)
Finish:	Light beige epoxy

FEATURES

- Economy Loudspeaker for Paging, Music and Signaling
- Power Handling of 7.5 Watts for Localized Communications
- Delivers Extended Frequency Response for Pleasing Sound Reproduction
- Withstands Indoor and Outdoor Environments

APPLICATIONS

Depend on WR-5 loudspeakers to reproduce natural sound for indoor or outdoor music, paging and signaling functions. Competitively priced units are designed for localized area sound distribution wherever a medium power environment resistant loudspeaker is required. Typical applications include walkways, recreation centers, drive-in service lanes, customer service booths, individual workstations, patios, retail and storage areas.

These versatile units are also ideally suited as signaling supplements to access control systems and as extension loudspeakers for two-way radio and mobile communication receivers. Multi-position bracket is provided for installation flexibility to walls, ceilings, pole and light posts.

GENERAL DESCRIPTION

Cost-effective reflex loudspeaker Models WR-5 and WR-5T are 7.5 watt units, for use where environment resistance and small size are important criteria in equipment selection for localized sound distribution. Reflex housing is designed to enhance frequency response and provide optimum efficiency of the cone loudspeaker. Weatherproof treatment and construction allows flexibility and dependable performance in indoor and outdoor installations. Model WR-5 is an 8-ohm unit. WR-5T is equipped with a 70.7 / 25-volt transformer with screwdriver adjustable watts / impedance switch. Housing is constructed of heavy-gauge spun aluminum with phosphate coating and durable light beige epoxy finish.

ARCHITECT AND ENGINEER SPECIFICATIONS

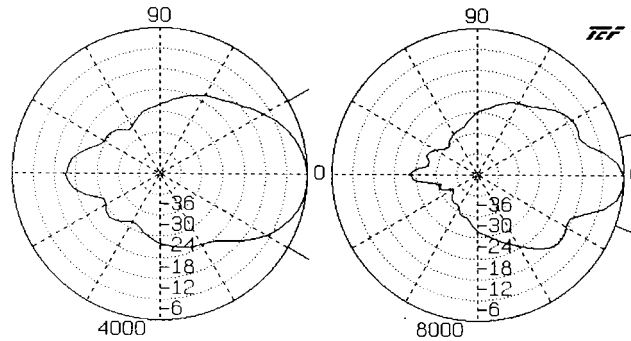
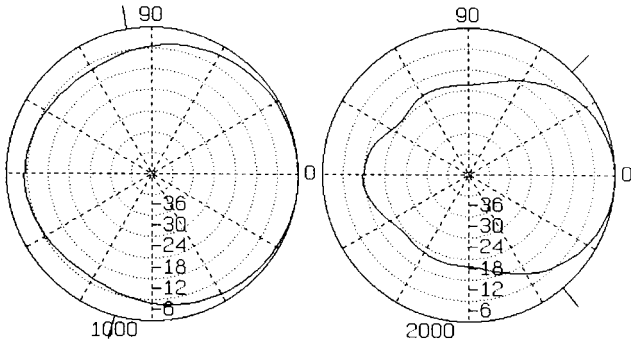
Loudspeaker shall be Atlas Sound Model _____ (WR-5, WR-5T) or approved equal. Assembly shall include a cone loudspeaker mounted within a reflex housing. All exposed parts shall be stainless steel or plated and sealed. The weatherproof unit shall be constructed of phosphate-treated heavy gauge spun aluminum. Audio power rating shall be 7.5 watts with a frequency response of 375-10000Hz (nominal) 400-7,800 Hz (+5dB). Dispersion angle shall be 95°. Unit shall produce a sound pressure level of 105dB (7.5W/1M), 97dB (1W/1M). Loudspeaker shall have an impedance of 8 ohms (WR-5) or shall be equipped with a 70.7 volt line transformer (WR-5T) having .65, 1.25, 2.5, 5.0 and 7.5 watt taps for impedance selection of 8000, 4000, 2000, 1000 and 666 ohms. Loudspeaker shall be furnished with adjustable mounting bracket. Dimension shall be 6"W x 6 3/4"D x 4"H. Finish shall be light beige epoxy.

Specifications subject to change without notice



Northeast Total Communications

Toll free: (800)-362-7542 Fax: (215)-639-2476 E-mail: info@ntcinc.com



Horizontal Polars Are Normalized To Zero On Axis

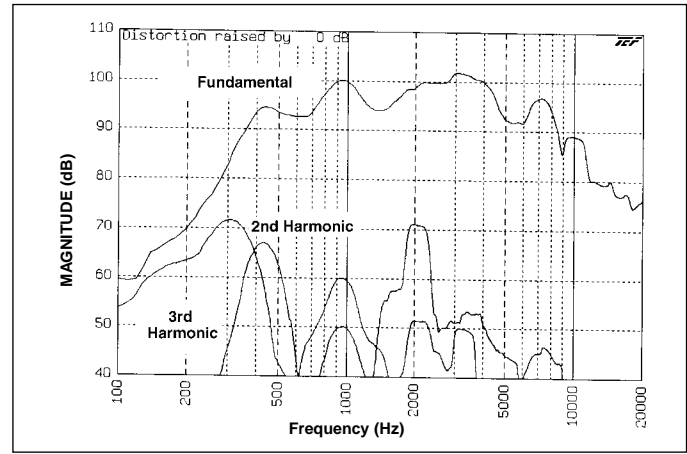
MODEL WR-5		
Frequency (Hz)	Q	Di
1000	2	4
2000	8	9
4000	18	13
8000	37	16

DRIVER PROTECTION: The horn loudspeaker should not be operated at frequencies outside the horn cut-off. It is suggested that any program material be high-passed at 300 Hz with a 6dB per octave filter. This can be done by a low level filter at the amplifier input or by a series capacitor at each loudspeaker. Electrolytic capacitors can be used but they must be non-polarized.

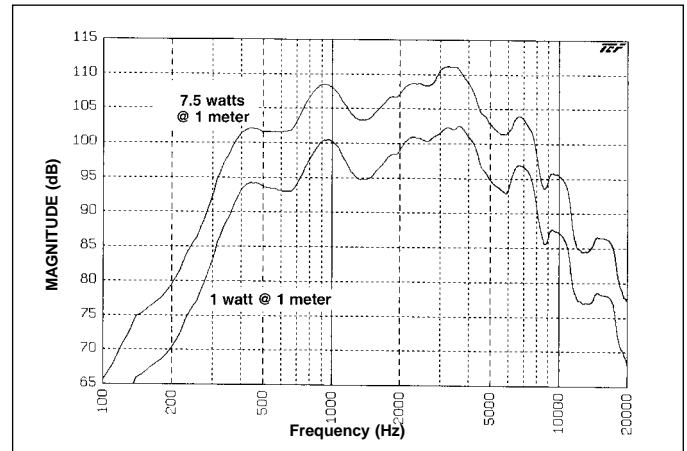
(See Typical Capacitor Values Chart.)

TYPICAL CAPACITOR VALUES	
8 Ohm Driver	70Volt Line
70 mfd	4 mfd

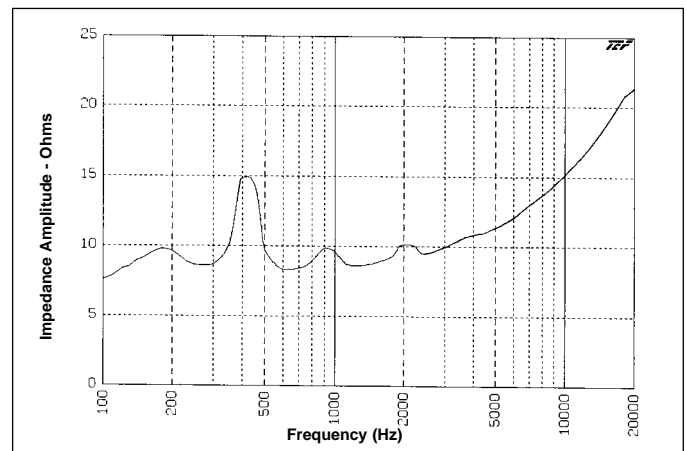
WR-5T Vari-Tap® Connect Center Transformer		
Switch Position	Impedance (Ohms)	Watts @ 70.7V
1	8,000	.65
2	4,000	1.25
3	2,000	2.50
4	1,000	5.00
5	666	7.50



WR-5 Harmonic Distortion 1 watt @ 1 meter



WR-5 Frequency Response



WR-5 Impedance (8-ohm version)

Atlas Sound products are designed and tested in our well-equipped research laboratory which contains a fully anechoic chamber, complete analog Bruel & Kjaer measurement equipment and Techtron® TEF 20® audio analyzer. Atlas Sound is proud to be a beta site for TEF software.

Specifications subject to change without notice



Northeast Total Communications

Toll free: (800)-362-7542 Fax: (215)-639-2476 E-mail: info@ntcinc.com