



1' X 2'

DROP-IN SPEAKER SYSTEMS



IS125CS

IS125



Close-up of Grille



IS149

FEATURES

- All-in-one assembled unit drops into ceiling grids to save installation time and money.
- Attractive white mesh grille blends with most acoustic ceiling tiles.
- Wide choice of loudspeaker/transformers plus enclosures

APPLICATION

Installer friendly Atlas Sound IS series “drop in” speaker systems provide great performance in a labor saving package. Ideal for use in institutional applications where large quantities of loudspeakers are utilized.

GENERAL DESCRIPTION

The Atlas Sound IS100 series of 1' x 2' drop-in ceiling speakers allow for a hassle-free installation method. Because they have a unique baffle, contractors may simply drop the speaker system into the grid, then cut the ceiling tile to the appropriate length. Each speaker is made up of attractive, perforated metal that blends well with acoustic ceiling tiles. You can enjoy clean, crisp sounds from the installation-friendly Atlas Sound IS100 series speakers without sacrificing building cosmetics. The 1' x 2' drop-in ceiling speakers are packaged with two pre-assembled systems per box. The following 1' x 2' drop-in system models feature industry standard Atlas Sound speakers, transformers and conical back cans.

MODEL*	SPEAKER POWER	POWER	XFMR	ENCLOSURE	WEIGHT
IS115	C5A	15 Watts	LT72	None	15
IS125	C10A	25 Watts	LT72	None	16
IS139	C803A	16 Watts	HT87	None	19
IS149	FC104	10 Watts	HT87	None	16
IS115CS	C5A	15 Watts	LT72	CS95-8	20
IS125CS	C10A	25 Watts	LT72	CS95-8	21
IS139CS	C803A	16 Watts	HT87	CS95-8	24
IS149CS	FC104	10 Watts	HT87	CS95-8	21

* See individual speaker specification sheet for more information.

Specifications subject to change without notice



Northeast Total Communications

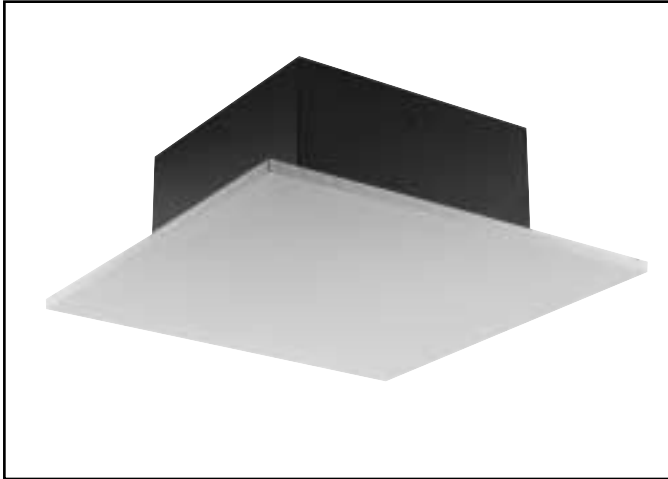
Toll free: (800)-362-7542 Fax: (215)-639-2476 E-mail: info@ntcinc.com



2' X 2' DROP-IN SPEAKER SYSTEM

IS289Q

ONE



IS289Q

SPECIFICATIONS

Size:	8" (203mm)
Power Handling:	100 Watts Peak, 70 Watts RMS
Sensitivity (1W/1M):	89.5dB Average, 93dB Peak
Impedance:	8 Ohms Nominal
Frequency Response:	75 Hz - 20 kHz (nominal) 85 Hz - 20 kHz (±5db)
Dispersion:	110° (2 kHz Octave Band, -6dB Points)
Crossover:	3,400 Hz
Cone Material:	Polypropylene with Kevlar® Fiber
Surround Material:	Butyl Rubber
Magnet Weight:	Nominal, 21 oz. (580g)
Basket Material:	Painted 19-gauge CRS
VC Diameter:	1.5" (38mm)
VC Material:	Copper
VC Former Material:	Kapton
VC Winding Width:	.465" (12mm)
Top Plate Thickness:	.250" (6mm)
Assembly Weight:	28 lbs.
Baffle Dimensions:	23 ³ / ₁₆ " x 23 ³ / ₁₆ " x 1 ¹ / ₂ " (replaces standard 2' x 2' ceiling tile)
Assembly Height:	8 ⁷ / ₁₆ " (front of grille to back of enclosure)

FEATURES

- All-in-one assembled unit drops into ceiling grids to save installation time and money.
- Attractive white mesh grille blends with most acoustic ceiling tiles.
- High-performance components including a Strategy® Series 8" loudspeaker.

APPLICATION

Installer friendly Atlas Sound IS series "drop in" speaker systems provide great performance in a labor saving package. Ideal for use in institutional applications where large quantities of loudspeakers are utilized.

GENERAL DESCRIPTION

The Atlas Sound IS200 Series, 2' x 2' drop-in speaker system features a premium 8" coaxial speaker, transformer, and enclosure. This premium line offers clean, crisp sound. Each speaker is made up of a handsome perforated metal that blends well with acoustic ceiling tiles. Like its relative, IS100 series 1' x 2' drop-in speaker systems, the Atlas Sound IS200 series 2' x 2' drop-in speaker systems also offer time-saving, easy installation. The Atlas Sound IS200 series 2' x 2' drop-in speakers include a one-of-a-kind baffle, which allows contractors to simply install the speaker system into a 2' x 2' grid, or cut the ceiling tile to the appropriate length in a 2' by 4' grid. Available IS200 Series 2' x 2' Drop-In Speaker System IS289Q 2x2 with FA138, HT327, and Q enclosure. Supplied with 2' T-Bar for ceiling grid.

MODEL	SPEAKER	SPEAKER POWER	XFMR	ENCLOSURE	WEIGHT
IS289Q	FA138	100 Watts	HT327	QS408	28 lbs.

Specifications subject to change without notice



Northeast Total Communications

Toll free: (800)-362-7542 Fax: (215)-639-2476 E-mail: info@ntcinc.com

51

ARCHITECT & ENGINEER SPECIFICATIONS

The loudspeaker, transformer, baffle, and enclosure assembly shall be Atlas Sound's 2' x 2' drop-in speaker system Model IS289Q. The loudspeaker shall be a FA138 8"(203mm) dia coaxial type with frequency response of 45Hz-20kHz and speaker power rating of 100 watts. Loudspeaker shall include

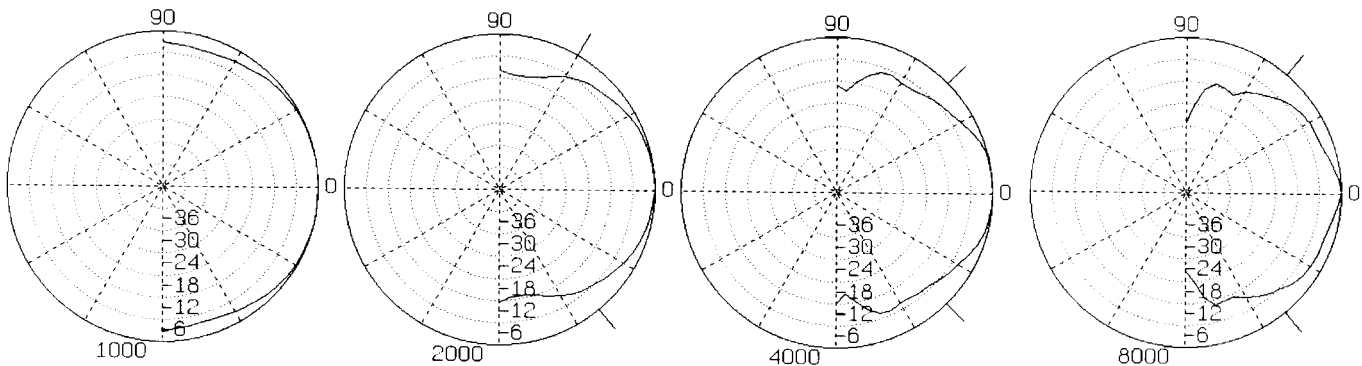
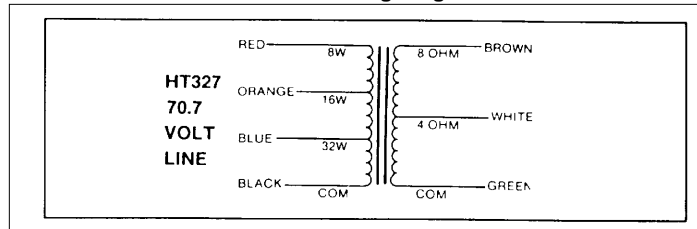
a factory-wired 70.7-volt transformer with power taps of 8, 16, and 32 watts. (Assembly shall be shipped complete with a QS408 Series square CRS-constructed enclosure). The assembly shall include a white metal mesh full size panel grille. Assembly weight shall be 28 lbs.

WIRING INSTRUCTIONS

Loudspeaker assemblies are shipped with lead wires extending out of the enclosure through a wire securing cable clamp.

Power taps and speaker line voltage are charted in Fig. 1.

FIG. 1: Wiring Diagram



Octave Bands Normalized to Zero On Axis

Specifications subject to change without notice



Northeast Total Communications

Toll free: (800)-362-7542 Fax: (215)-639-2476 E-mail: info@ntcinc.com

ARCHITECT & ENGINEER SPECIFICATIONS

The loudspeaker, transformer, baffle, and enclosure assembly shall be Atlas Sound's 1' x 2' drop-in speaker system Model _____. The loudspeaker shall be a _____ [15, 16, or 25-watt] 8"(203mm) dia., or 10-watt 4" FC104 dual cone type with frequency response of (_____nom.). Loudspeaker shall

include a factory-wired 25/70.7-volt transformer with power taps of .5, 1, 2, & 4. The assemble shall include a white metal mesh full size panel grille. (CS Model assembly shall be shipped complete with a CS95-8 round CRS-constructed enclosure. Assembly weight shall be: _____(See other side).

WIRING INSTRUCTIONS

LT72 Transformer

Loudspeaker assemblies are shipped with eight (8) lead wires extending out of the enclosure through a wire securing cable clamp.

Power taps and speaker line voltage are charted to the right.

LT72 Wiring Diagram

ATLAS SOUND		
70 / 25V Transformer Taps		
SPK	70V	25V
COM	BLK	BLK
.5W	WHT	BRN
1W	YEL	GRN
2W	BLU	VIO
4W	BRN	ORN

HT87 Transformer

Loudspeaker assemblies are shipped with five (5) lead wires extending out of the enclosure through a wire securing cable clamp.

Power taps and speaker line voltage are charted to the right.

HT87 Wiring Diagram

ATLAS SOUND	
70.7V Transformer Taps	
SPK	70V
COM	BLK
.5W	WHT
1W	YEL
2W	BLU
4W	BRN

Specifications subject to change without notice



Northeast Total Communications

Toll free: (800)-362-7542 Fax: (215)-639-2476 E-mail: info@ntcinc.com