



18½" DEEP WELDED CABINETS WITH FIXED RAILS

WA100 Series



WA100-70B

FEATURES

- Extensive Wire Management Capabilities
- Five Model Heights
- Rear Door Offers Right or Left-Hand Hinging Capability
- Standard 5¼" Panel Opening in Cabinet Base and Top Offers Wiring Convenience
- Manufactured to E.I.A. Standards
- Includes Perforated Vents
- Ideal for Telecommunications, Broadcasting, Manufacturing, Testing, Research, Educational and Institutional Application
- UL listed

BASIC RACK INCLUDES

- Base, Top Panel, Side Panels, & Rear Door
- 16-Gauge CRS Construction
- Vented Top, Base, Sides and Rear Door
- One Pair of 11 ga., CRS Fixed Mounting Rails
- Removable Rear Door with Lock
- 18 Conduit Knockouts and 2 Wire-Access Panels

OPTIONS

- Solid, Perforated or Plexiglass Front Door
- Drawers, Shelves, Fans, and Accessories
- CT1020 Roller Truck
- CT500K Caster Kit

APPLICATIONS

Atlas Sound 100/WA100 Series floor cabinets offer full functional and mechanical flexibility for mounting 19" wide rack equipment. All units offer right or left-hand hinging capability (on rear door) and are commonly used to house: broadcast and studio electronics; computer con-

trol, telecommunications, and switching equipment; as well as building management, communication, and security systems in commercial, industrial, institutional, and military applications. Welded models are UL Listed (Standard 1678).

GENERAL DESCRIPTION

WA100 Series. General purpose cabinets are 18½" deep, 22⅝" wide, and available in five vertical panel space heights. (Refer to chart on back for exact dimensions and model numbers.) Series WA100 racks are completely welded and ready for equipment installation.

All models are constructed of 16-gauge CRS and include base, top panel, side panels, mounting rails and a removable rear door with cylinder lock and flush door pull. Rear doors are hung with quick-release spring hinges which allow them to be rotated 180° for right or left-hand opening. See chart on back for appropriate front door model numbers (ordered separately). If front door is ordered, it will be keyed differently than the rear door for security.

The Series WA100 cabinet line offers several installer-friendly advantages, including a standard panel width opening in the cabinet top and bottom which can be left open for wire access and/or ventilation, or closed using a standard 5¼" (3RU) panel Model S19-5.

Conduit arrays are located on the top and bottom surface panels, as well as the top and bottom back flanges. Flange arrays consist of five knockouts, three 1" (25mm) standard, and two, ½" (13mm) ¾" (19mm) concentric. Surface arrays are comprised of 4 knockouts, two, 1" (25mm) standard knockouts and two, ½" (13mm) ¾" (19mm) concentric.

Stamped, perforated vents are located on all sides as well as on the rear door to allow for maximum air convection.

Cabinets include one pair of 11-ga, CRS fixed mounting rails tapped 10-32 and recessed ⅝" (16mm). Rails are standard E.I.A. ⅝"-⅝"-½" spacing.

Cabinet surface is phosphate pre-treated for proper paint adhesion. Standard finish is textured black epoxy #962. Other colors are available; consult factory for details.

Specifications subject to change without notice



Northeast Total Communications

Toll free: (800)-362-7542 Fax: (215)-639-2476 E-mail: info@ntcinc.com



18½" DEEP STACKING UTILITY FRAMES

900-19
900-28



900 Series



900-19



900-28



Two 900-19
Stacked
Vertically

FEATURES

- Unique Rack is Engineered for Assembled Strength and Simple Assembly.
- Open Frame Design Facilitates Mounting All Types of equipment.
- Packaged for Fast and Inexpensive UPS Shipping and Compact Storage.
- Frames Easily Bolt Together to Accommodate Vertical or Horizontal Racking Needs.
- Ideal Cabinet Frame for Economy and Durability in "Behind The scenes" Applications.
- Includes Front and Rear Mounting Rails.

APPLICATIONS

900 Series frames are uniquely engineered to provide assembled strength and shipping/storage economy. These low-cost, innovative units feature quick and simple assembly, and the versatility of the 900 Series allows the frames to be easily stacked, or joined side-by-side, for mounting electronics in either free-standing or custom cabinet enclosures. The ingenious frame-only design maximizes space efficiency by enabling the unit's entire vertical panel capacity to be used for mounting equipment.

These frames, which are available in both a 19¼" (900-19) and a 28" (900-28) version, are ideal for theater, residential, broadcast, and retail applications where easy access to equipment mounted behind-the-scenes, under desks or counters is desired. The frames of the 900 Series are intended for permanent installation where doors, side panels, and casters are not required. (Your custom side panels, however, may be added if desired). 900 Series models are offered with 10-32 tapped rails.

BASIC FRAME	AS OFFERED		TOP HORIZONTAL REMOVED		DIMENSIONS			
	RU	PANEL SPACE	RU	PANEL SPACE	HEIGHT	DEPTH	WIDTH	WEIGHT
900-19*	10	17½" (445mm)	11	19¼" (540mm)	21¼" (540mm)	18" (457mm)	19¼" (489mm)	15.5 Lbs.
900-28*	15	26¼" (667mm)	16	28" (712mm)	30" (762mm)	18" (457mm)	19¼" (489mm)	19 Lbs.

STACKED FRAME COMBINATIONS	TOTAL RU*	TOTAL PANEL SPACE	OVERALL HEIGHT	DEPTH	WIDTH
Two 900-19	22	38½" (978mm)	42¼" (1073mm)	18" (457mm)	19¼" (489mm)
One 900-19, One 900-28	27	47¼" (1200mm)	51" (1295mm)		
Two 900-28	32	56" (1422mm)	59¾" (1518mm)		
Three 900-19	34	59½" (1511mm)	63¾" (1607mm)		
Two 900-19, One 900-28	39	68¼" (1734mm)	72" (1830mm)		
One 900-19, Two 900-28	44	77" (1956mm)	80¾" (2051mm)		

*Total RU available has been calculated with horizontal members between units removed.

Specifications subject to change without notice



Northeast Total Communications

Toll free: (800)-362-7542 Fax: (215)-639-2476 E-mail: info@ntcinc.com

TEN

395

GENERAL DESCRIPTION

The 900 Series frames are offered in two sizes: 900-19 is 21 $\frac{1}{4}$ " (540mm) high with 17 $\frac{1}{2}$ " (445mm) panel space (10 R.U.); 900-28(P) is 30" (762mm) high with 26 $\frac{1}{4}$ " (667mm) panel space (15 R.U.). Usable panel space may be increased to 11 and 16 rack units, respectively, by removing the optional top horizontal cross member. The vertical stacking process is accomplished easily—simply stack the rail members and join them using the front-to-rear members as splice plates. (All necessary hardware is furnished.) Please reference the "stacked frame combination" chart located on the front of this sheet. Units can also be joined "side-by-side" using the pre-drilled holes in the front-to-rear frame members and owner-supplied hardware. (These pre-drilled holes can also be used to mount custom side panels.)

The corner post rails of Models 900-19 and 900-28 are manufactured of 11-ga. CRS, drilled and tapped for EIA mounting. Three left-to-right horizontal frame members are 14-ga. CRS and offer cutouts for easy wire access and $\frac{1}{4}$ " holes for bolting to floors (if desired). Cutouts can also be used as handles or wire access holes, and may be installed facing up, down, front, or rear. The fourth horizontal frame member is a standard 16-ga. CRS, blank panel (S219-3) measuring 3 $\frac{1}{2}$ " (2RU).

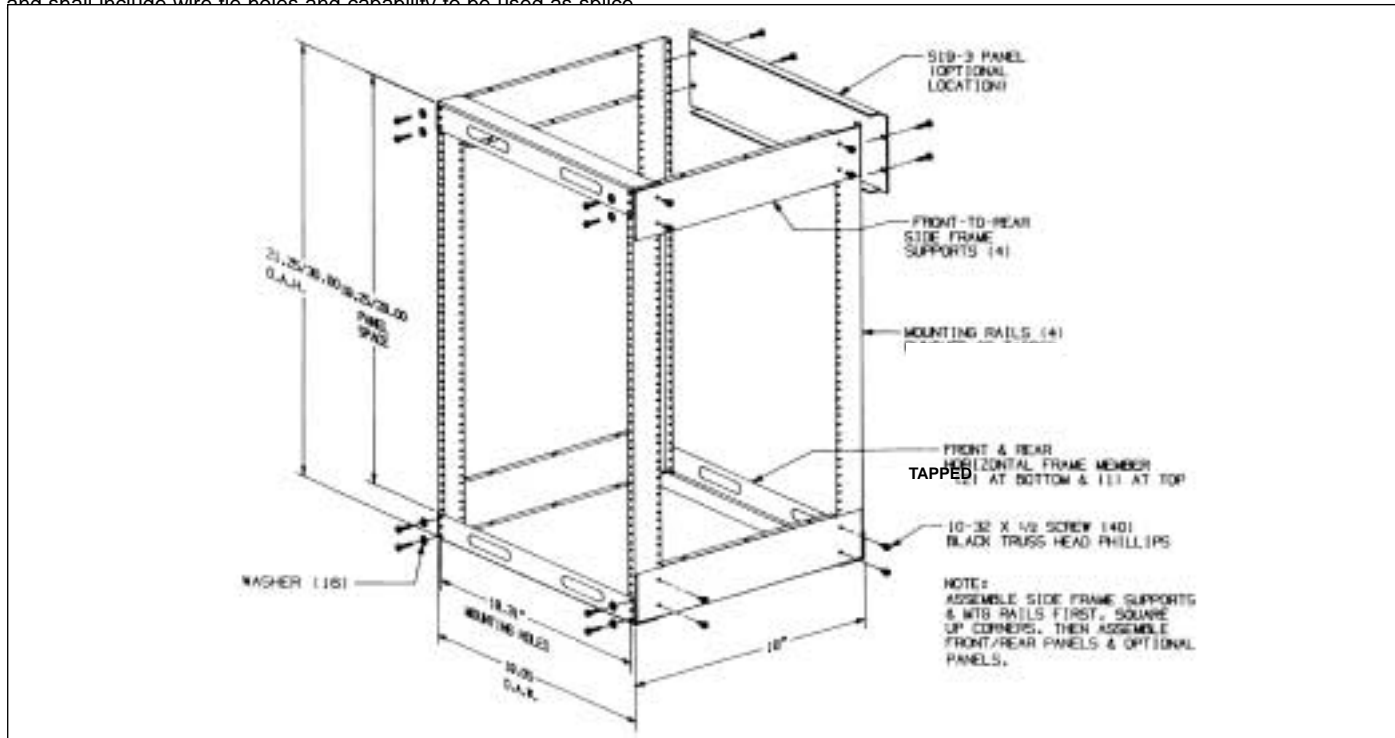
This panel may be placed anywhere along the front or back side of the frame. The front-to-rear (side) frame members are 16-ga. CRS to provide structural rigidity and to serve as splice plates when joining 900 Series units in stacked configurations. They also are equipped with wire tie holes for wire management.

Units are finished and stocked in textured black epoxy. Entire frame assemblies are shipped knocked-down in a carton size of 1" (787mm) L x 3" (76mm) H x 8" (203mm) W. Hardware bag, containing black assembly screws and washers, is furnished as well as 40 extra sets of screws for mounting equipment.

ARCHITECT AND ENGINEER SPECIFICATIONS

The equipment rack shall be Atlas Sound Model _____ (900-19, 900-28). Cabinet depth shall be 18" with _____ (17.5" or 26.25") panel space. Three left-to-right horizontal panel members shall be 14-ga. CRS with two cutouts for wire management). The fourth horizontal frame member shall be a 16-gauge CRS panel measuring 3 $\frac{1}{2}$ " H. The four front-to-rear (side) frame members shall be 16-gauge CRS and shall include wire tie holes and capability to be used as splice

plates in multi-bay configurations. Models 900-19 and 900-28 shall have 11-gauge CRS corner post rails that are drilled and tapped 10-32 on EIA spacing. All components to be finished in textured black epoxy and shipped knocked down in a UPS shippable carton size of 31" (787mm) L x 3" (76mm) H x 8" (203mm) W. Matching assembly and mounting hardware shall be furnished.



Specifications subject to change without notice



Northeast Total Communications

Toll free: (800)-362-7542 Fax: (215)-639-2476 E-mail: info@ntcinc.com



18½", 25½" & 30" DEEP WELDED RACKS

500 Series
502 Series
503 Series



502-70B



503-77B
(Shown with shipping panel S19-5.)

FEATURES

- Choice of 18½", 25½", or 30" Depths
- Welded, 16-Gauge CRS Frame With Vented Top Panel, Base and Rear Door
- Removable, Locking Rear Door with Spring Hinges, Flush Lock and Pull, and Right or Left-Hand Hinging Option
- Optional Surface-Mount Front Door in Choice of Solid Steel or Plexiglass (Right or Left-Hand Hinging)
- Easily Adjustable, 11-Gauge, Front-to-Rear Tapped Mounting Rails
- Slotted Mounting Rail Supports Facilitate Vertical Wire Management and are E.I.A.-Spaced for Vertical Mounting of 19" Accessories
- Panel Space Opening in Top and Bottom Provides Ample Wire/Cable Access
- 18 Conduit Knockouts (Standard & Concentric)
- Optional 4" Wide Wiring Channel Consolidates Wiring for (502 and 503 Series)
- UL Listed (Standard 1678)

APPLICATIONS

Superior wire management design of Atlas Sound's 500, 502, and 503 Series racks make them ideal for single and multi-bay configurations where easy accessibility to wiring in and between racks is desirable. Standard 19" (483mm) wide racks are available in 18½", 25½", or 30" depths for housing electronic equipment and controls used in telecommunications, data processing, broadcasting, manufacturing, testing, research, educational, and institutional applications. Series 500, 502, and 503 are UL Listed under Standard 1678.

GENERAL DESCRIPTION

500/502/503 Series. These sturdy vertical racks feature 16-gauge CRS welded frames in 18½", 25½", or 30" depths, respectively. They are offered in standard panel space heights. Series 500 and 502 include one pair of 11-gauge CRS adjustable mounting rails tapped 10–32; Series 503 includes two pair of rails. Units have welded top and bottom panels with panel-opening vent; removable rear door with quick-release spring hinges, flush lock, and pull. Cabinet frame and rear door are vented to promote air circulation and heat dissipation.

The 500/502/503 Series line offers several installer-friendly advantages including a standard panel width opening in the cabinet top and bottom. Opening can be left open for free wire access/ventilation, partially covered with the ISOPANEL™ for non-conductive cable access or closed using a standard 5¼" (3RU) panel Model S19-5. Top opening is also perfect for installing 3RU fan panel Model ES195-121/122 or vented panel Model SVP19-5.

Multiple conduit arrays provide maximum access, and are conveniently located on the top and bottom panel surface, and across the top and bottom back flanges of the cabinet frame. Surface arrays are comprised of 4 knockouts, two, 1" (25mm) standard knockouts and two, ½" (13mm) / ¾" (19mm) concentric. Flange arrays consist of five knockouts, three 1" (25mm) standard, and two, ½" (13mm) / ¾" (19mm) concentric.

Cabinets feature front-to-rear mounting rail supports with slotted cutouts to easily adjust rail depth and to provide open raceways for vertical cable control. Supports, which are positioned on standard panel width spacing, also feature a series of punched holes for securing equipment. (Note: Number of supports per side vary depending upon model selected — 70" & 77" models = 4 per side; 61" model = 3 per side; 36" & 42" models = 2 per side)

Cabinets are finished in #962 textured black. Other standard and special colors are available; consult Factory for details.

500/502/503 SERIES RACK FRAME						
MODEL			RACK UNIT	PANEL* SPACE	HEIGHT	WIDTH
18½"D	25½"D	30"D				
500-36B	502-36B	—	21	36½"	41"	22⅝"
500-42B	502-42B	—	24	42½"	46¼"	22⅝"
500-61B	502-61B	503-61B	35	61¾"	65½"	22⅝"
500-70B	502-70B	503-70B	40	70½"	74¼"	22⅝"
500-77B	502-77B	503-77B	44	77½"	81¼"	22⅝"

*Listed panel opening allows ⅛" clearance at top and bottom (⅛" total)

Specifications subject to change without notice



Northeast Total Communications

Toll free: (800)-362-7542 Fax: (215)-639-2476 E-mail: info@ntcinc.com

TEN

387



Two 502-70B
Shown with 542-70B side panel
mounted to 522-70BCH wire channel (left),
522-70BCH wiring channel (middle), and
542-70B side panel (right).

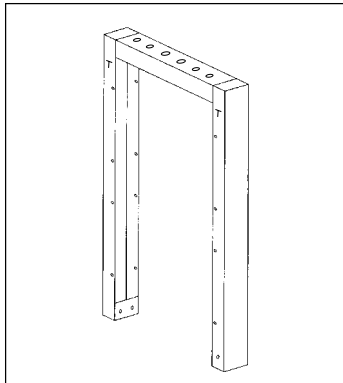


Fig. 2: 522 Series Wiring Channel
Model 522-61BCH

OPTIONAL ACCESSORIES

Optional accessories include: a selection of front doors; a 4" wide wiring channel; a 5/8" wide side panel, and extra mounting rails.

110/5000 - Series Surface-Mount Front Doors. Series 110 doors are 16-gauge CRS with lock, keys, door pull, and mounting hardware for right or left-hinging. SD Series doors mount to cabinet frame and are typically used in front-mounting installations where rack-mounted electronics have protruding knobs or handles. Models provide 5/16" for handle clearance. Choose from solid, smoked acrylic plex, or perforated vent styling where noted. Doors are 16-ga. CRS and include cylinder lock and recessed handle. (All surface doors are keyed the same.) Doors are equipped with quick-release hinges and removable pins for easy door removal. Also included is a template for field installation. (Customer is required to drill mounting holes for surface doors which may be hung for right or left-hand opening and closure.) Available in a choice of standard colors. Models SD19 and SDP19 are short doors designed for writing surface applications and include one 1 3/4" panel (Model S219-1) for closure.

540/542/543 Series 5/8" Side Panels. Series 540, 542, and 543 lift-off, vented side panels are offered for enclosing 500, 502, and 503 Series cabinets, respectively. Side panels may also be used to enclose a 522 or 523 Series wire channel to create a closed extra-depth side panel. To install, simply connect side panel supports (included) to the channel and hook side panel over supports. (See Fig. 5)

522/523 Series 4" Wiring Channel. Four-inch wide wiring channels are great for single or multi-bay installations that require extensive wire management. The 522 and 523 Series mount the 502 Series (25 1/2"D) and 503 Series (30"D) racks respectively. The channel provides a four-inch wide wiring raceway and may be used between two cabinets or on the side when combined with a standard 5/8" wide side panel to enclose the wire management area. The three-piece channel series is 16-ga. CRS and assembles in place with supplied hardware. Its open bottom design provides ample cable access. Channels are offered in sizes to fit each 502 and 503 Series Cabinet and are sold as single units. (See Fig. 2)

230 / 235 Series Mounting Rails. Eleven-gauge CRS mounting rails are tapped 10-32 on E.I.A. spacing (5/8"-5/8"-1/2" continuous centers) and painted black. One set is supplied with Series 500 and 502 racks, two sets are supplied with Series 503. Additional rails are offered to provide front and rear support to equipment mounted in Series 500 and 502.

ROLLER TRUCK & CASTER KIT ACCESSORIES

CT-1020. Heavy-duty, welded 16-ga. CRS roller truck provides mobility for 19" W x 18 1/2" D 500 Series cabinets. Unit is designed for single-bay use and has one pair rigid one pair locking 3" swivel casters finish is black.

CT-500K. Caster kit provides mobility to 19" W x 18 1/2" D 500 Series cabinets in single or multi-bay installations. Kit includes four swivel 2" dia. twin casters (two non-locking and two rigid), and two 17" L brackets with hardware.

CT-5020K. Caster kit provides for caster installation onto 19" W x 25 1/2" D 502 Series cabinets in single or multi-bay installations. Kit includes four, non-locking, 2 5/8" dia. casters, and two, easy-to-install, 25" L mounting/supporting brackets. Model accommodates the 25 1/2" D WA202 and 502 Series cabinets.

CT-5030K. Caster kit for 19" W x 30" D Series 503 is similar to the CT-5020K model with a longer mounting bracket.

MODEL	DIMENSIONS		LOAD CAPACITY	MOUNTS
	H (ADD TO RACK)	L x W		
CT-1020	4"	24 5/16" x 20 13/16"	400+ lbs.	500 Series
CT-500K	.96"	17" x 4.2"	400+ lbs.	500 Series
CT-5020K	1.75"	25" x 4.2"	850 lbs.	502 Series
CT-5030K	1.75"	29" x 4.2"	850 lbs.	503 Series

500 / 502 / 503 SERIES ACCESSORIES

BASIC RACK	OPTIONAL FRONT DOOR			OPTIONAL SIDE PANEL(S) 5/8" W (pair)	OPTIONAL 4" W WIRING CHANNEL (EA.)	ADDITIONAL MOUNTING RAILS (pair)
	SOLID	PLEX	PERF			
500-36B	110-36A	5036-19-SDP	5036-19SDV	540-36B	—	230-36T
502-36B	110-36A	5036-19-SDP	5036-19SDV	542-36B	522-36BCH	230-36T
500-42B	110-42A	5042-19-SDP	5042-19SDV	540-42B	—	230-42T
502-42B	110-42A	5042-19-SDP	5042-19SDV	542-42B	522-42BCH	230-42T
500-61B	110-61A	5061-19-SDP	5061-19SDV	540-61B	—	230-61T
502-61B	110-61A	5061-19-SDP	5061-19SDV	542-61B	522-61BCH	230-61T
503-61B	110-61A	5061-19-SDP	5061-19SDV	543-61B	523-61BCH	235-61BT (Two pairs supplied)
500-70B	110-70A	5070-19-SDP	5070-19SDV	540-70B	—	230-70T
502-70B	110-70A	5070-19-SDP	5070-19SDV	542-70B	522-70BCH	230-70T
503-70B	110-70A	5070-19-SDP	5070-19SDV	543-70B	523-70BCH	235-70BT (Two pairs supplied)
500-77B	110-77A	5077-19-SDP	5077-19SDV	540-77B	—	230-77T
502-77B	110-77A	5077-19-SDP	5077-19SDV	542-77B	522-77BCH	230-77T
503-77B	110-77A	5077-19-SDP	5077-19SDV	543-77B	523-77BCH	235-77BT (Two pairs supplied)



Northeast Total Communications

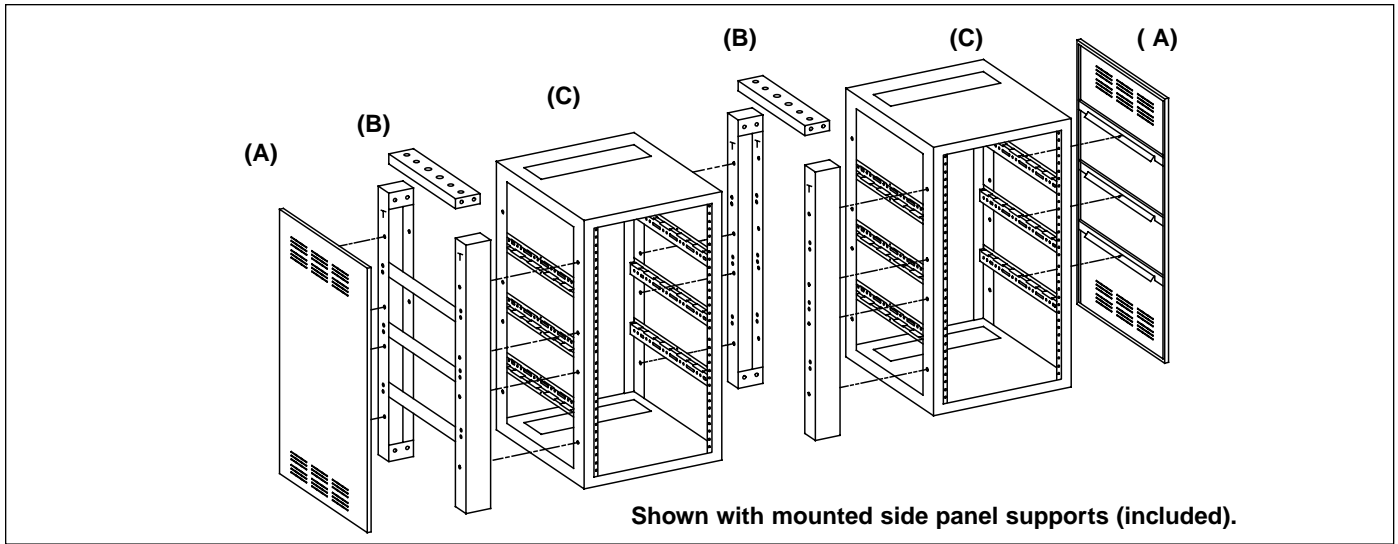
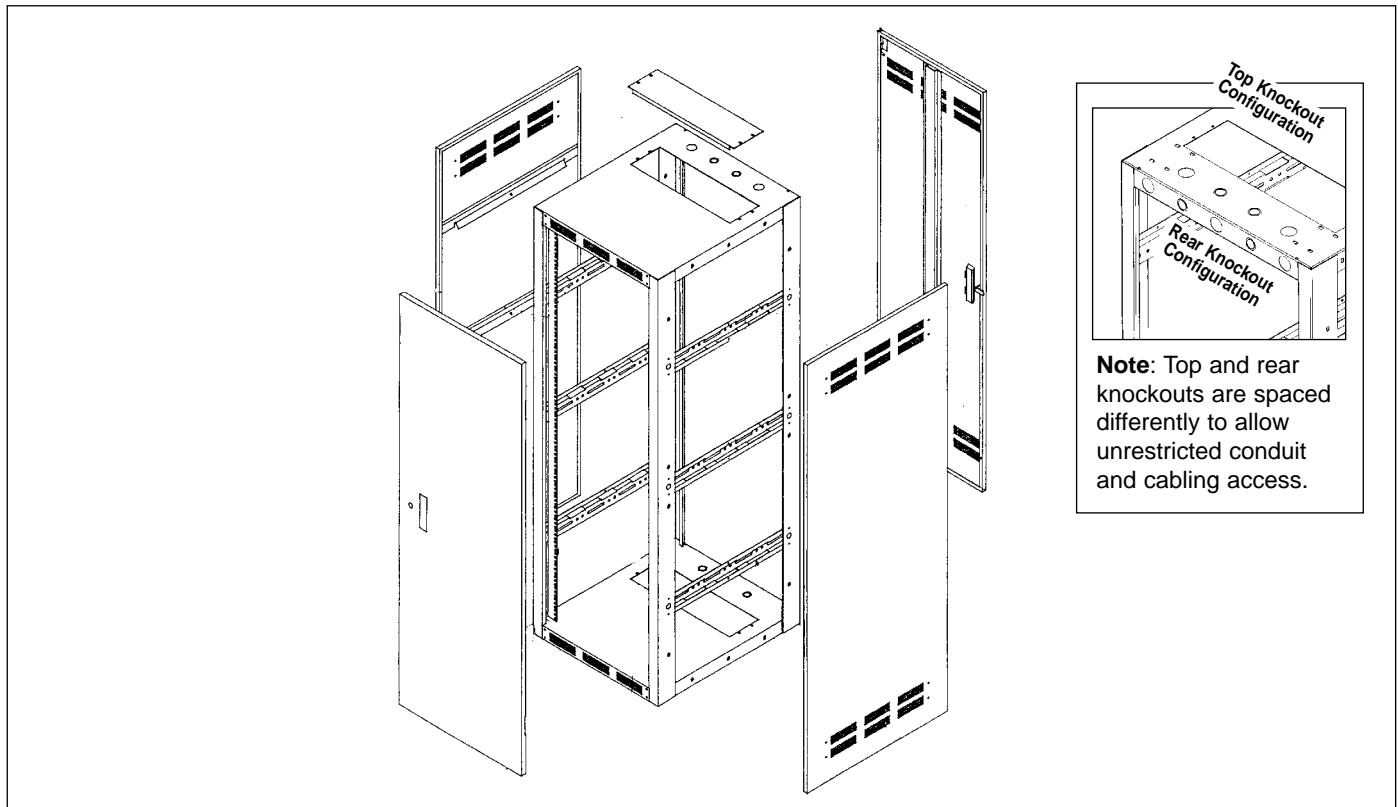


Fig. 3: Example Dual-Bay Assembly: A) 542-61 543--61 B) 522-61BCH 523-61BCH C) 502-61B 503-61B



Note: Top and rear knockouts are spaced differently to allow unrestricted conduit and cabling access.

FIG. 4: ATLAS SOUND 500/502/503 "B" SERIES

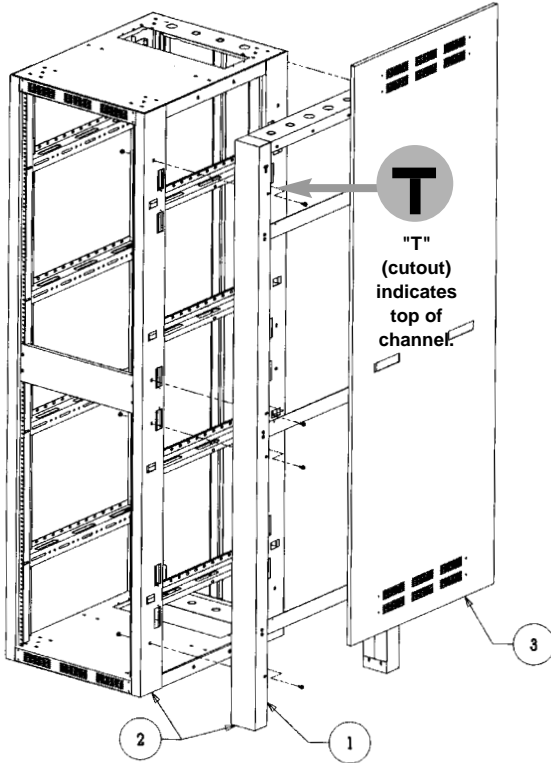
- A. Flush Rear Door (Supplied)
- B. S19-5 Blank Panel (Shipped Mounted to Rails)
- C. Optional Side Panel (540, 542, 543 Series)
- D. Stamped, Perforated Ventilation
- E. Optional Surface Door (Plex, Perforated, or Solid)
- F. Mounting Rail Supports with Slots for Wiring and Incremental Holes for Mounting
- G. Top Panel Conduit Array (Matches Bottom Panel)
- H. Mounting Rail Supports on 19" E.I.A. Spacing
- I. 5 1/2" Panel Space Opening (Matches Top Opening)
- J. Stamped, Perforated Front Ventilation (Frame)
- K. Tapped Front Mounting Rails



Northeast Total Communications

Toll free: (800)-362-7542 Fax: (215)-639-2476 E-mail: info@ntcinc.com

522BCH / 523BCH WIRE CHANNEL ASSEMBLY INSTRUCTIONS (4" WIDE WIRING CHANNEL FOR RACK FRAMES)



1. ASSEMBLE WIRING CHANNEL:

A. Remove channel components from packaging and place on flat surface. The two longer pieces (side channels) should have the "T" cutouts facing in the same direction. Place the shorter (top) channel between the two longer pieces at the "T" cutout end. Assemble the top channel to the inside flanges of the side channel sides using ½" long 10-32 screws.

B. Secure all hardware.

C. The channel may be used between two racks or closed using a side panel. Attach the side panel supports only if a side panel will be used. Assemble the side panel supports to the inside of the assembled side channel using ½" long 10-32 screws. Make sure the small leg of the "L" shape faces the rack frame.

2. MOUNT CHANNEL TO RACK FRAME:

A. Align channel assembly with frame.

B. Locate slotted mounting holes on the channel (4 on each side). Position channel to match holes on rack frame -and secure using ¼"-20 bolts and keep nuts.

3. MOUNT OPTIONAL SIDE PANEL TO CHANNEL:

A. Confirm that wiring channel is securely mounted to the frame.

B. Position panel against channel and carefully lift panel upward while holding it against the channel. Continue until the panel slips over the side panel supports. Then, simply pull down on the panel to secure.

Fig. 5: 522/523 Series Wire Channel Assembly Instructions.

ARCHITECT AND ENGINEER SPECIFICATIONS

500/502/503 Series. Equipment rack shall be Atlas Sound Model _____. Depth shall be _____ (18½", 25½", or 30"). Height shall be _____. It shall be constructed of 16-ga. CRS with welded top panel, locking rear door, and 11-ga. CRS adjustable mounting rails tapped 10-32 (Series 500 and 502 includes one pair of rails; Series 503 has two pair). Cable entry shall be through standard [1" (25mm)] and concentric [½" (13mm) / ¾" (19mm)] conduit knockouts located on the top and bottom panels, as well as bottom and top rear flanges. Mounting rail supports shall have slotted cutouts for controlled vertical wiring. A 5¼" blank panel space shall be provided on the bottom and top panels of the cabinet for additional wire management and/or fan mounting. Removable rear door shall be supported on spring hinges and equipped with door pull, lock, and vents. Finish shall be _____.

OPTIONAL

Side Panels. Cabinet shall be enclosed with vented side panel Model _____ (540, 542, or 543 Series). Finish shall be _____.
Wiring Channel. In single or multi-bay 25½" or 30" deep configurations, wiring channel Model _____ (522 or 523 Series) shall be utilized to provide additional wire-run area between or at either cabinet end of the 502 or 503 Series units respectively. The three-piece wiring channel shall be four-inches wide and constructed of 16-ga. CRS. Finish shall be _____.

Front Doors. Cabinet shall include a surface mounting CRS front door Model _____, Model _____ Perforated steel door or plexiglass door Model _____. CRS door shall be hinged _____ (right, left) and shall include lock, door pull, keys, and mounting hardware. Plexiglass door shall be mounted into a 16-gauge CRS frame and include hinge with removable pins, lock, door pull, keys, and mounting hardware. All door models shall provide ⅝" minimum clearance from rail to accommodate equipment knobs and/or handles. Finish shall be _____.

Extra Mounting Rails. Cabinet (Series 500/502) shall be equipped with additional mounting rail pair Model 230-_____ BT manufactured of 11-ga. CRS, painted black, drilled, and tapped 10-32.

Specifications subject to change without notice



Northeast Total Communications

Toll free: (800)-362-7542 Fax: (215)-639-2476 E-mail: info@ntcinc.com



SECTIONAL WALL CABINETS WITH 12", 15", AND 18" DEEP CENTER SECTION

300B Series
320B Series
340B Series



320-21B



340-42B

FEATURES

- Sturdy Wall-Mount Cabinet Protects Equipment and Saves Valuable Floor Space
- Selection Includes Models with 12", 15", and 18"D Center Mounting Sections
- Reinforced Frame Flanges, Plus Corner-Brace Structural Supports and Electric-Welded Seams & Miters Provide Stability for Mounted Equipment
- Punched Vents Assure Heat Dissipation
- Wire Management Provisions Allow Organized Wire Access
- Adjustable Mounting Rails Provide Flexibility
- Choice of Standard Solid, Optional Plexiglass, or Optional Vented Door Styles Meet Application Needs

APPLICATIONS

The 300B, 320B and 340B Series cabinets have been engineered to provide full functional and mechanical flexibility for wall-mounting standard 19" wide rack equipment. Sectional assemblies may be installed to accommodate right or left-hand hinging applications, and are ideal for use in areas with limited floor space or "protected" access requirements. Units are commonly used to house electronic switching, monitoring, sound and communication controls in school auditoriums, health care facilities, presentation/conference centers, manufacturing facilities, laboratories, public buildings, and recreational complexes. They can also be used to house computer control equipment, studio electronics, and building management/security systems in commercial, industrial, institutional, and military applications.

GENERAL DESCRIPTION

Series 300B, 320B and 340B Series wall cabinets are distinguished by center-section depths of 12", 15", and 18", respectively. Basic model includes three, 16-gauge CRS sections which include a 2" deep, solid-steel front door, a 12", 15", or 18"D center section with adjustable mounting rails, and a 4½"D rear door. Panel space openings range from 12¼" to 61¾". Enclosures are equipped with convenient and useful provisions for custom cabinet mounting, wire management, equipment mounting, and structural support. (See page 2 for detailed information.) Cabinet is finished in #962 black epoxy.

W/DOOR	W/O DOOR	PANEL OPENING*	RACK UNIT	CABINET O.D.		SECTION DEPTH**		OPTIONAL DOOR***				
				WIDTH	HEIGHT	REAR	CENTER	4" Deep	2" Deep †			
12" CTR. MODELS				20"	20%	4½"	12"	304-17B	302-17(SD)(P)(V)			
300-12B	N/A	12¾"	7							15½"	302-12SD	
300-17B	300-17LDB	17%"	10							20½"	304-21B	302-21(SD)(P)(V)
300-21B	300-21LDB	21%"	12							24"	304-21B	302-21(SD)(P)(V)
300-28B	300-28LDB	28%"	16							31"	304-28B	302-28(SD)(P)(V)
300-42B	300-42LDB	42%"	24							45"	304-42B	302-42(SD)(P)(V)
300-61B	300-61LDB	61%"	35							64½"	304-61B	302-61(SD)(P)(V)
15" CTR. MODELS				20"	20%	4½"	15"	304-17B	302-17(P)(V)			
320-17B	320-17LDB	17%"	10							20½"	304-21B	302-21(P)(V)
320-21B	320-21LDB	21%"	12							24"	304-28B	302-28(P)(V)
320-28B	320-28LDB	28%"	16							31"	304-42B	302-42(P)(V)
320-42B	320-42LDB	42%"	24							45"	304-61B	302-61(P)(V)
320-61B	320-61LDB	61%"	35	64½"								
18" CTR. MODELS				20"	20%	4½"	18"	304-17B	302-17(P)(V)			
340-17B	340-17LDB	17%"	10							20½"	304-21B	302-21(P)(V)
340-21B	340-21LDB	21%"	12							24"	304-28B	302-28(P)(V)
340-28B	340-28LDB	28%"	16							31"	304-42B	302-42(P)(V)
340-42B	340-42LDB	42%"	24							45"	304-61B	302-61(P)(V)
340-61B	340-61LDB	61%"	35	64½"								

* Listed panel opening allows ¼" clearance at top and bottom (½" total).
† Suffix model with P (plexiglass) or V (vented steel).

** Non-LDB Models include a 2" deep steel front door

*** Mounts LDB Series only.

Specifications subject to change without notice

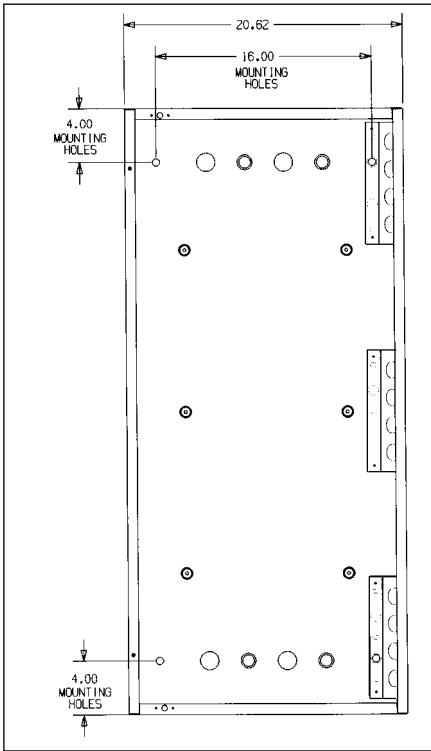


Northeast Total Communications

Toll free: (800)-362-7542 Fax: (215)-639-2476 E-mail: info@ntcinc.com

TEN

397

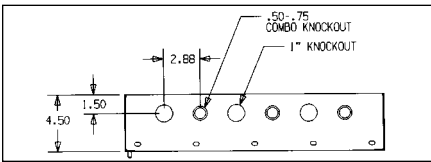


Mounting Provisions

Mounting holes located on the back panel of the rear door, enable the pre-assembled cabinet to be easily secured to a wall, post, support, or other surfaces for elevated applications. (See Fig. 1) These convenient cabinets are designed for right-hand hinging applications, but assemblies can be inverted 180° to facilitate left-hand hinging. Rear section hinges are bolted, not welded, to ensure easy retrofit capability. The removable pin-type hinges holding the center and rear sections together facilitate independent pre-installation of the rear section. This feature also permits efficient surface or recess installation. Models with panel heights of 12¼", 17%", and 21½" have two hinges; while 28%", 42%", and 61¾" panel space cabinets each have three hinges.

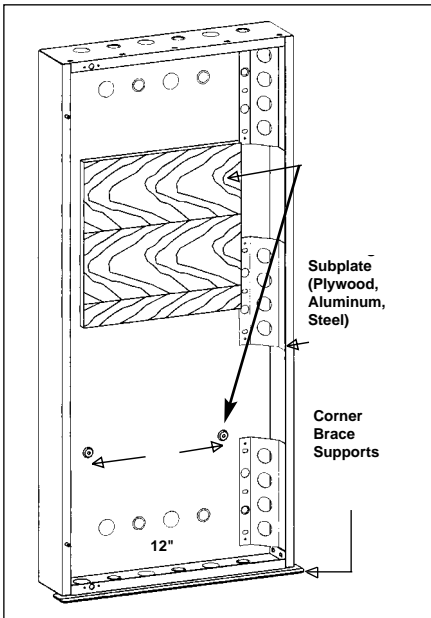
Equipment Mounting & Wiring

All Models include one pair of 11-ga. adjustable front-to-rear mounting rails which are tapped 10–32, and manufactured to standard E.I.A. 5/8"–5/8"–1/2" spacing. Models with panel space openings of 28%", 42%", and 61¾" are equipped with center section mounting rail supports (1 per side) which have slotted cutouts for infinite adjustment of mounting rails and open raceways for containing vertically run wire and cable. Smaller models do not require mounting rail supports. Corner brace supports, which straddle the back and side panel of the rear section (hinge side), also feature round (1¼" dia.) wire access holes for harnessing excess wire. The back panel of the rear section is equipped with ¼" D boss detents which give contractors field flexibility to screw-mount a plywood, aluminum, or steel subplate (by others) for mounting accessories, such as transformers, power strips, and phone relay systems inside the cabinet. Boss detents are on 12" centers and vary depending upon model height (17%", 21½", 28%" panel space models have four detents, 42%" panel space models have six detents and 61¾" panel space models have eight detents.) (See Fig. 2) Note: Model 300-12 does not have provisions for mounting subplate.



Conduit Knockouts

All Series models have 20 conduit knockouts on the rear section, with the exception of the 300-12B which has 16. Conduit arrays are located at the top and bottom of the back panel (except 300-12B which has a centered array), as well as on the top and bottom back flanges. Panel arrays consist of four knockouts: two 1" (25mm) standard, and two, ½" (13mm) / ¾" (19mm) concentric. Top and bottom flange arrays are comprised of six knockouts: three, 1" (25mm) standard, and three, ½" (13mm) / ¾" (19mm) (See Fig. 2).



Ventilation

Stamped perforated vents, located on both sides (top and bottom) of the center section, provide maximum ventilation for rack-mounted electronics. (Four vent patterns per side on 300B Series, eight per side on 320B & 340B Series).

Structural Support

Series 300B, 320B and 340B cabinets offer exceptional structural support. The units' one-piece front and rear sections are strengthened with frame flanges on bottom, top, and sides. Center sections also have "L"-shaped gussets (brackets) which are plug-welded, joining bottom and top panels to side panels. Series 300B, 320B, and 340B have a total of 8, 12, and 16 brackets, respectively. Rear sections have corner brace supports which bridge the back and side panel (hinge side) giving the back (mounted) panel extra reinforcement for tension relief. (See Fig. 3) Units also have electric-welded seams and miters which bolster the cabinets' overall bonding. The center section offers maximum reinforcement provisions, such as a uniquely designed center section guide plate that reduces potential sagging by distributing cabinet and equipment weight to rear section. The 11-ga., 1-7/8" W guide plate, which mounts to the rear section's bottom flange, provides a ¾" lip which gives added support to the center section when the cabinet is open or closed. The plate also ensures that an equipment-weighted center section will close properly, by "guiding" alignment pins into respective holes.

Standard Door

Series 300B, 320B and 340B cabinets include a 2" (51mm) deep, steel front door equipped with a cylinder lock. All models, with the exception of the 300-12, can be ordered without a front door (LDB Series). LDB Series Models will accommodate optional door Series

Specifications subject to change without notice



Northeast Total Communications

OPTIONAL ACCESSORIES

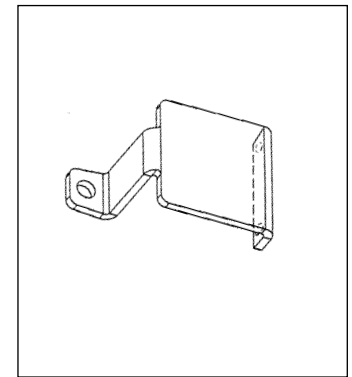
302/304B Series Doors. Optional Series 302 and 304B front doors are offered in depths of 2" and 4", respectively, and will accommodate Series 300LDB, 320LDB, and 340LDB cabinets. Series 302 doors are available with a steel frame and a plexiglass front (P), vented steel (V) front, or solid steel front (SD). Plexiglass models are ideal for applications where equipment operation must be monitored, but secured. Vented steel doors are designed to dissipate heat. Solid door are ideal for situations where internal components are to be out-of-sight to deter tampering. Extra-depth 304 Series doors provide added clearance for equipment with full-grip handles and protruding knobs. Series 304 doors are particularly useful when rails are adjusted in the far-forward position to accommodate extra-depth equipment.

OPTIONAL FRONT DOORS FOR SERIES 300B, 320B, AND 340B CABINETS					
2"D MODEL		4"D MODEL		HEIGHT	MOUNTS CABINET MODEL(S)
SOLID / VENTED	PLEX	SOLID STEEL			
302-12SD / NA	-	-		15 1/4"	302-12B
302-17SD / 302-17V	302-17P	304-17B		20 1/2"	300-17LDB, 320-17LDB, 340-17LDB
302-21SD / 302-21V	302-21P	304-21B		24"	300-21LDB, 320-21LDB, 340-21LDB
302-28SD / 302-28V	302-28P	304-28B		31"	300-28LDB, 320-28LDB, 340-28LDB
302-42SD / 302-42V	302-42P	304-42B		45"	300-42LDB, 320-42LDB, 340-42LDB
302-61SD / 302-61V	302-61P	304-61B		64 1/4"	300-61LDB, 320-61LDB, 340-61LDB

CT31A. This optional heavy-duty caster support reduces the load bearing requirements of the wall by supporting the center section weight when opened and closed (typically used on 61" panel space models). Cabinet must be mounted 6" from the ground. Support is constructed of formed, 14-ga. CRS and includes heavy-duty, zinc-plated caster with a black, hard-tread wheel. The caster adjusts in height from 5 1/2" to 7 1/2" and is supplied with drilling template for easy installation. Finished in black. *(Note: Before installing the CT31A, the center section guide plate must be removed.) (Only one CT31A required per cabinet)*



CT31A

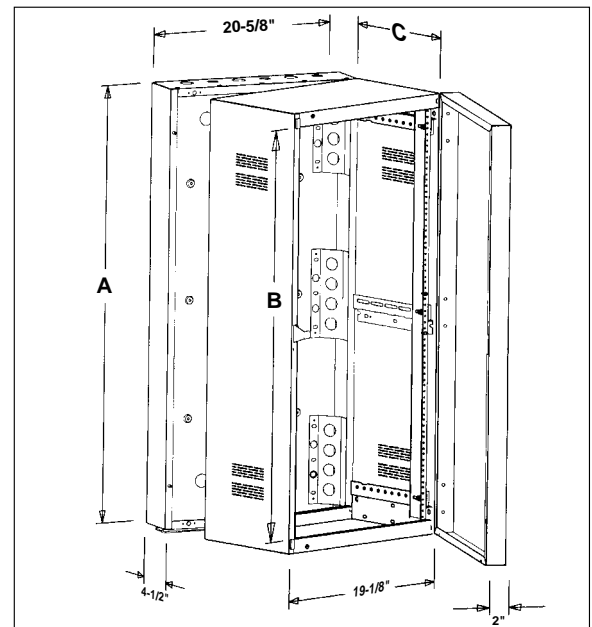


EJL-2

EJL-2. Replacement latch-bracket is designed for security applications and features a standard size hole to accommodate customer-supplied 1/4" padlock. Bracket is constructed of 11-ga. CRS and mounts into existing latch holes after standard cylinder lock is removed.

SERIES 300B, 320B, AND 340B OUTSIDE DIMENSIONS				
MODEL*	A	B	C	
300-12B	15 1/4" (387mm)	12 1/4" (311mm)	12" (304mm) for 300 Series	
300-17B	20 1/2" (520mm)	17 1/2" (448mm)		
340-17B				
300-21B	24" (610mm)	21 1/2" (536mm)		15" (381mm) for 320 Series
320-21B				
340-21B				
300-28B	31" (787mm)	28 1/2" (714mm)		18" (457mm) for 340 Series
320-28B				
340-28B				
300-42B	45" (1143mm)	42 1/2" (1070mm)		
320-42B				
340-42B				
300-61B	64 1/4" (1632mm)	61 3/8" (1559mm)		
320-61B				
340-61B				

* LDB Series share the same dimensional characteristics, but do not have an attached 2" deep steel front door.



Specifications subject to change without notice



Northeast Total Communications

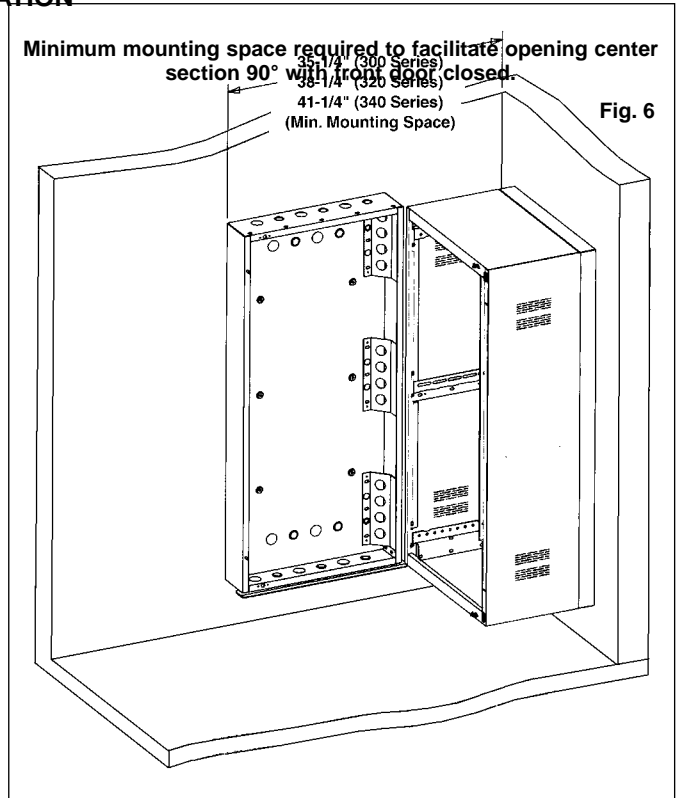
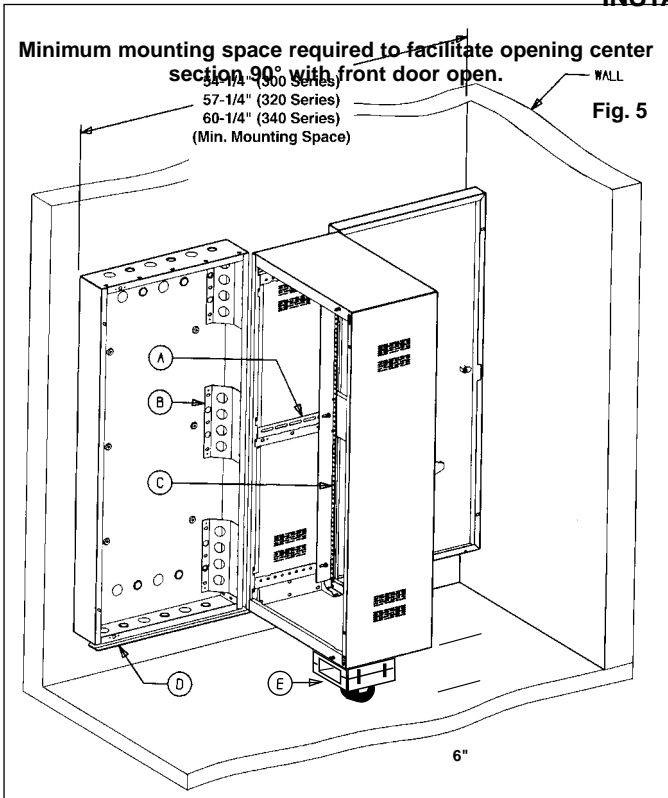
Toll free: (800)-362-7542 Fax: (215)-639-2476 E-mail: info@ntcinc.com

ARCHITECT AND ENGINEER SPECIFICATIONS

The sectional wall mounting cabinet shall be Atlas Sound Model _____ (suffix Model with "LDB" for cabinet less front door). It shall be constructed of 16-gauge CRS throughout. Hinges shall be bolted, not welded. All sections shall be of one-piece construction with electric-welded seams and miters. Cabinet shall have provisions which allow the unit to be inverted for accommodating left-hand hinging applications. Rear section shall have concentric 1/2" (13mm) and 3/4" (19mm) knockouts on the top and bottom surface panel, as well as the flange panels at the top and bottom of the rear panel. Center section shall be secured with screw-type locking rods and alignment pins. The center section shall be equipped with adjustable, front-to-rear mounting rails tapped with 10-32 holes on E.I.A. 19" spacing. Units

shall have slotted rail supports for mounting rail adjustment and wire management purposes. Standard front door shall be 2" (51mm) deep, and constructed of one-piece 16-ga. CRS, with perforation vents and cylinder lock. Optional 4" deep vented steel front door shall be Atlas Sound Model _____ (304B Series). Optional 2" deep front door shall be vented steel Model _____ (302V Series), plexiglass Model _____ (302P Series) or solid steel Model _____ (302SD) Series. Optional caster support shall be _____ (Model CT31A). Optional replacement latch shall be _____ (Model E JL-2).

INSTALLATION



- A) Mounting Rail Supports
- B) Corner Brace Supports
- C) Adjustable Front-to-Back Mounting Rails (Standard E.I.A. Spacing)
- D) Center Section Guide Plate
- E) Optional Model CT31A Caster Support (Requires the cabinet to be mounted 6" from the floor.)

Installation Placement Considerations

- Determine Left/Right Swing Distance to Adjacent Walls
- Decide if optional caster support Model CT31A will be used to reduce wall load-bearing requirements (recommended on 61" and some 42" panel space cabinet installations). If the caster will be used, cabinet must be mounted 6" from the floor.

Specifications subject to change without notice



Northeast Total Communications



18½" & 25½" DEEP CABINETS WITH ADJUSTABLE RAILS

**WA200 Series
WA202 Series**



WA202-70B

FEATURES

- Extensive Wire Management Capabilities
- Five Model Heights
- Rear Door Offers Right or Left-Hand Hinging Capability
- Standard 5¼" Panel Opening in Cabinet Base and Top Offers Wiring Convenience
- Manufactured to E.I.A. Standards
- Includes Perforated Vents
- Ideal for Telecommunications, Broadcasting, Manufacturing, Testing Research, Educational and Institutional Application
- UL Listed

BASIC RACK INCLUDES

- Base, Top Panel, Side Panels, & Rear Door
- 16-Gauge CRS Construction
- Vented Top, Base, Sides and Rear Door
- One Pair of 11 ga., CRS Fixed Mounting Rails
- Removable Rear Door with Lock
- 18 Conduit Knockouts and 2 Wire-Access Panels

OPTIONS

- Solid, Perforated or Plexiglass Front Door
- Drawers, Shelves, Fans, and Accessories
- CT-1020 Roller Truck – (WA200 Series only)
- CT-500K Caster Kit – (WA200 Series only)
- CT-5020K Caster Kit – (WA202 Series only)

APPLICATIONS

Atlas Sound WA200/WA202 Series floor cabinets offer full functional and mechanical flexibility for mounting 19" wide rack equipment. All units offer right or left-hand hinging capability (on rear door) and are commonly used to house: broadcast and studio electronics; computer

control, telecommunications, and switching equipment; as well as building management, communication, and security systems in commercial, industrial, institutional, and military applications. Models are UL Listed (Standard 1678).

GENERAL DESCRIPTION

WA200 Series. These standard racks are 18½" deep, 22⅝" wide, and available in five vertical panel space heights. (Refer to chart on back for exact dimensions and model numbers.) Series WA200 is completely welded and ready for equipment installation. All models are constructed of heavy 16-gauge CRS, feature right or left-hand hinging, and include base, top panel, side panels, mounting rails and front and rear doors.

Models are complete with both front and rear doors. (To order racks less front door, simply suffix model with "LD"; refer to chart on back). Rear doors are furnished with quick-release spring hinges which allow them to be rotated 180° for right or left-hand opening. Cylinder locks and flush door pulls (handles) accompany both door assemblies. (Front and rear door locks are keyed differently for security.)

The Series WA200 cabinet line offers several installer-friendly advantages, including a standard panel width opening in the cabinet top and bottom which can be left open for wire access and/or ventilation, or closed using a standard 5¼" (3RU) panel Model S19-5.

Conduit arrays are located on the top and bottom surface panels, as well as the top and bottom back flanges. Flange arrays consist of five knockouts, three 1" (25mm) standard, and two, ½" (13mm) / ¾" (19mm) concentric. Surface arrays are comprised of 4 knockouts, two, 1" (25mm) standard knockouts and two, ½" (13mm) / ¾" (19mm) concentric. Stamped perforated vents are located on all sides as well as on the

rear door to allow for maximum air convection. Internal vents reduce side-by-side stacking problems in multi-bay configurations.

Cabinets include one pair of front-to-rear adjustable mounting rails tapped 10–32. Channel slides provide adjustment (three per side on 61", 70", and 77" models; two per side on 36" and 42" models). Rails are manufactured to standard E.I.A. ⅝"-⅝"-½" spacing. Series Models feature front-to-rear hat sections with slotted cutouts for wire management.

Standard finish is textured black epoxy #962.

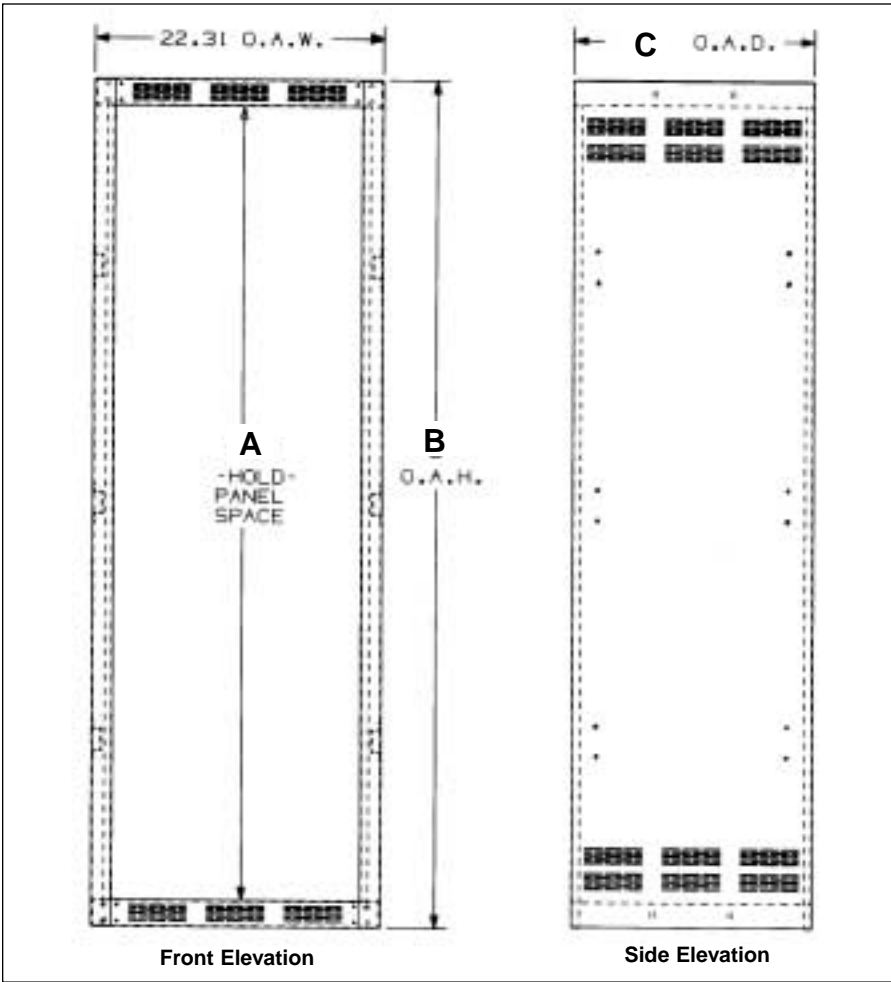
WA202 Series. These extra-depth cabinet models are 25½" deep, 22⅝" wide, and available in three vertical panel space heights. (Refer to chart on back for exact dimensions and model numbers.) Units are shipped welded and ready for equipment installation. All other structural features are identical to WA200 Series.

Specifications subject to change without notice



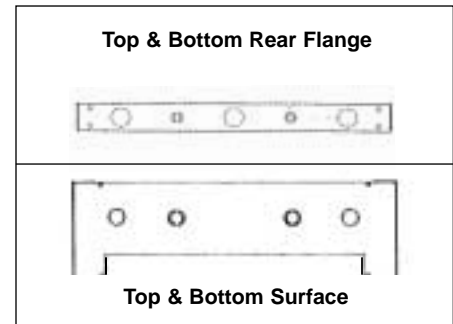
Northeast Total Communications

Toll free: (800)-362-7542 Fax: (215)-639-2476 E-mail: info@ntcinc.com



ARCHITECT AND ENGINEER SPECIFICATIONS

Floor cabinet shall be Atlas Sound Model _____ (WA200, or WA202 Series). Rack shall be constructed of 16-gauge CRS throughout. WA202 Series Models shall have 16-ga. base panels. It shall have 1/2" (13mm) and 3/4" (19mm) concentric conduit knockouts and 1" standard knockouts on the top and bottom panels, and top and bottom rear flanges. Unit shall be vented for natural air convection. Rear doors shall be supported on spring hinges and be positioned for (right, left)-hand hinging. Doors shall be equipped with door pulls and cylinder locks with the front and rear door locks keyed differently. Enclosure shall have adjustable panel mounting angles for panel mounting any distance from the front. Rails shall be made of 11-gauge CRS with 10-32 tapped holes on E.I.A. universal spacing. Overall cabinet dimensions shall be _____; panel space dimension shall be _____ units.



MODEL WELDED**	RACK UNIT	OUTSIDE DIMENSIONS			PANEL SPACE (A)	EXTRA RAILS	(OPTIONAL) FRONT DOORS		
		WIDTH	HEIGHT (B)	DEPTH (C)			SOLID	PLEX	PERFORATED
WA200-36B WA200-36LDB	21	22 5/8" (567mm)	41" (1041mm)	18 1/2" (470mm)	36 7/8" (937mm)	230-36T	Included 110-36A	N.A. 5036-19-SDP	5036-19SDV
WA202-36B WA202-36LDB	21	22 5/8" (567mm)	41" (1041mm)	25 1/2" (648mm)	36 7/8" (937mm)	230-36T	Included 110-36A	N.A. 5036-19-SDP	5036-19SDV
WA200-42B WA200-42LDB	24	22 5/8" (567mm)	46 1/4" (1175mm)	18 1/2" (470mm)	42 1/2" (1070mm)	230-42T	Included 110-42A	N.A. 5042-19-SDP	5042-19SDV
WA202-42B WA202-42LDB	24	22 5/8" (567mm)	46 1/4" (1175mm)	25 1/2" (648mm)	42 1/2" (1070mm)	230-42T	Included 110-42A	N.A. 5042-19-SDP	5042-19SDV
WA200-61B WA200-61LDB	35	22 5/8" (567mm)	65 1/2" (1664mm)	18 1/2" (470mm)	61 1/8" (1559mm)	230-61T	Included 110-61A	N.A. 5061-19-SDP	5061-19SDV
WA202-61B WA202-61LDB	35	22 5/8" (567mm)	65 1/2" (1664mm)	25 1/2" (648mm)	61 1/8" (1559mm)	230-61T	Included 110-61A	N.A. 5061-19-SDP	5061-19SDV
WA200-70B WA200-70LDB	40	22 5/8" (567mm)	74 1/4" (1886mm)	18 1/2" (470mm)	70 7/8" (1781mm)	230-70T	Included 110-70A	N.A. 5070-19-SDP	5070-19SDV
WA202-70B WA202-70LDB	40	22 5/8" (567mm)	74 1/4" (1886mm)	25 1/2" (648mm)	70 7/8" (1781mm)	230-70T	Included 110-70A	N.A. 5070-19-SDP	5070-19SDV
WA200-77B WA200-77LDB	44	22 5/8" (567mm)	81 1/4" (2064mm)	18 1/2" (470mm)	77 7/8" (1959mm)	230-77T	Included 110-77A	N.A. 5077-19-SDP	5077-19SDV
WA202-77B WA202-77LDB	44	22 5/8" (567mm)	81 1/4" (2064mm)	25 1/2" (648mm)	77 7/8" (1959mm)	230-77T	Included 110-77A	N.A. 5077-19-SDP	5077-19SDV

N.A. = Not Available

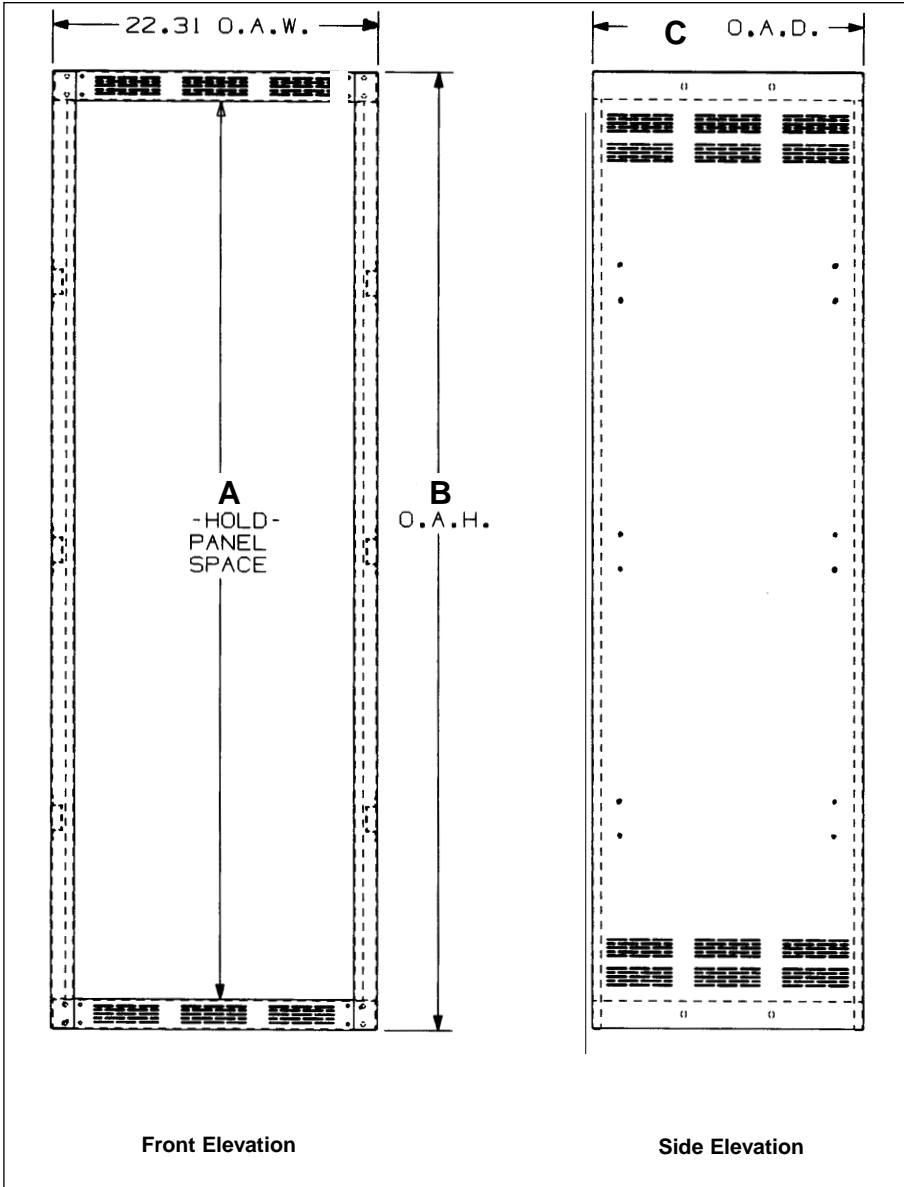
** Welded Models are UL Listed

Specifications subject to change without notice



Northeast Total Communications

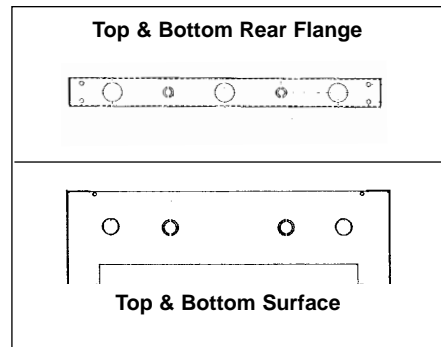
Toll free: (800)-362-7542 Fax: (215)-639-2476 E-mail: info@ntcinc.com



ARCHITECT AND ENGINEER SPECIFICATIONS

Floor cabinet shall be Atlas Sound Model _____ (WA100) Series. Unit shall be constructed of 16-gauge CRS throughout. It shall have 1/2" (13mm) and 3/4" (19mm) concentric conduit knockouts and 1" standard knockouts on the top and bottom panels, and top and bottom rear flanges. Unit shall be vented for natural air convection. Rear door shall be supported by spring hinges and be positioned for (right, left)-hand hinging. Door shall be equipped with a door pull and cylinder lock. Enclosure shall have one pair of fixed rails made of 11-ga. CRS with 10-32 tapped holes on E.I.A. universal spacing. Overall height dimension shall be _____; panel space dimension shall be _____, _____ units.

If ordering front door add: Unit shall be used in conjunction with Atlas Sound solid front door Model _____ (110 Series), perforated steel Model _____ (5000SDV Series) or plexiglass door Model _____ (5000SDP Series). Doors shall be hung on quick-release hinges for (right, left)-hand hinging and include a door pull and cylinder lock keyed differently than the rear door.



MODEL WELDED*	RACK UNIT	OUTSIDE DIMENSION			PANEL SPACE (A)	(OPTIONAL) FRONT DOORS		
		WIDTH	HEIGHT (B)	DEPTH (C)		SOLID	PLEX	Perforated
WA100-36B	21	22 5/16" (567mm)	41" (1041mm)	18 1/2" (470mm)	36 7/8" (937mm)	110-36A	5036-19-SDP	5036-19SDV
WA100-42B	24	22 5/16" (567mm)	46 1/4" (1175mm)	18 1/2" (470mm)	42 7/8" (1070mm)	110-42A	5042-19-SDP	5042-19SDV
WA100-61B	35	22 5/16" (567mm)	65 1/2" (1664mm)	18 1/2" (470mm)	61 7/8" (1559mm)	110-61A	5061-19-SDP	5061-19SDV
WA100-70B	40	22 5/16" (567mm)	74 1/4" (1886mm)	18 1/2" (470mm)	70 7/8" (1781mm)	110-70A	5070-19-SDP	5070-19SDV
WA100-77B	44	22 5/16" (567mm)	81 1/4" (2064mm)	18 1/2" (470mm)	77 7/8" (1959mm)	110-77A	5077-19-SDP	5077-19SDV

* Welded Models are UL Listed ** K.D. = Knocked Down

Specifications subject to change without notice



Northeast Total Communications

Toll free: (800)-362-7542 Fax: (215)-639-2476 E-mail: info@ntcinc.com