



# INDOOR/OUTDOOR 70.7 VOLT MINI-LOUDSPEAKER SYSTEMS

**W SERIES**  
**W115AT, W130AT**  
**& W150AT**

ONE



**W115AT-BK & W115AT-WH**



**W130AT-WH & W130AT-BK**



**W150AT-BK**

## FEATURES

- Compact, Two-Way Loudspeaker Systems for Exceptional Performance in Music and Sound Reinforcement Systems
- Combination 8-Ohm Selector Switch and Adjustable 70.7V Transformer for Distributed Sound Applications
- Weather-Resistant Construction For Year-Round Use
- Removable Bracket for Mounting on Walls, Ceilings and Under Eaves
- Available in a Black or White Finish

## APPLICATIONS

Use surface-mount Atlas Sound W Series mini-loudspeaker systems with a built-in 70.7V transformer for commercial and residential applications or where high-fidelity distributed sound and weather-resistance are desired. Full-range frequency response makes these systems ideal for indoor and outdoor installation, in monaural and stereo foreground or background music systems and for applications in boutiques/shops, restaurants/cafes, or non-salt-water marine, leisure and recreation/sports centers. Multi-position, C-shaped mounting bracket and rugged construction provide optimum installation flexibility and assurance of long-term service.

## GENERAL DESCRIPTION

Environment-resistant W Series mini-loudspeaker systems offer quality sound reproduction and contemporary styling in a compact enclosure. Cost-effective systems are complete with built-in, screwdriver-adjustable, 70.7-volt transformer and an 8-ohm selector switch. Transformer shaft is protected against the environment by a small rubber boot. Models W130AT and W150AT are 30 and 50-watt systems, respectively and include carbon fiber, reinforced, polypropylene cone woofer and ferrofluid tweeter housed in a low-maintenance, die-cast aluminum enclosure with textured black (-BK) or white (-WH) finish. Model W130AT incorporates a 4" woofer and Model W150AT utilizes a 5-1/4" woofer and a soft-dome tweeter to meet applications where high-fidelity sound is required. Both the W130AT and the W150AT tweeter incorporate ferrofluid allowing greater power handling capabilities. W115AT is an economical 15-watt version with weather-resistant woofer and tweeter mounted within a high-impact plastic enclosure with black or white finish. All mini-loudspeaker systems feature stamped Aluminum grilles and removable C-shaped mounting brackets for placement flexibility. Individually packaged units are shipped in master packs of six (W115AT and W130AT) or four (Model W150AT).

## W SERIES LOUDSPEAKER SPECIFICATIONS

MODEL	W115AT-BK	W115AT-WH	W130AT-BK	W130AT-WH	W150AT-BK	W150AT-WH
<b>POWER RATING</b>	15 Watts		30 Watts		50 Watts	
<b>IMPEDANCE, NOMINAL</b>	8 Ohm/70.7 Volts		8 Ohm/70.7 Volts		8 Ohm/70.7 Volts	
<b>FREQUENCY RESPONSE</b>	140 Hz-20 KHz (±5dB)		120 Hz-20 KHz (±3dB)		75 Hz-20 KHz (±5dB)	
<b>SENSITIVITY (1 Watt, 1 Meter)</b>	88dB		84dB		86dB	
<b>WOOFER</b>	<b>SIZE</b>	4" (102mm)	4" (102mm)	5 1/4" (133mm)		
	<b>CONE</b>	Treated	Polycarbon			
	<b>SURROUND</b>	Rubber	Butyl Rubber			
	<b>MAGNET</b>	8 oz.	10.3 oz.	20 oz.		
<b>TWEETER</b>	<b>SIZE</b>	1" (25mm)	1" (25mm)	1" (25mm)		
	<b>MATERIAL</b>	Treated Core	ferrofluid, Soft Dome		ferrofluid, Soft Dome	
	<b>MAGNET</b>	3 oz.	5.3 oz.	8.6 oz.		
<b>SELECTOR</b>	<b>70.7 VOLT TAPS</b>	1, 2, 4, 8 & 15 Watts		2, 4, 8 & 16 Watts		2.5, 5, 10 & 20 Watts
	<b>VOICE COIL DIRECT</b>	8 Ohms		8 Ohms		8 Ohms
<b>DIMENSIONS</b>	7 5/8"H x 4 1/2"W x 4 3/8"D (183 x 114 x 111mm)		7 1/4"H x 4 5/8"W x 4 3/8"D (184 x 116 x 111mm)		9"H x 6 5/8"W x 6 5/8"D (229 x 160 x 167mm)	
<b>WEIGHT (WITH BRACKET)</b>	4.5 lbs (2 kg)		5.5 lbs (2.5 kg)		10.0 lbs (4.5 kg)	

*Specifications subject to change without notice*



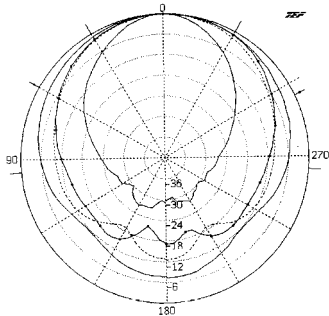
## Northeast Total Communications

Toll free: (800)-362-7542    Fax: (215)-639-2476    E-mail: info@ntcinc.com

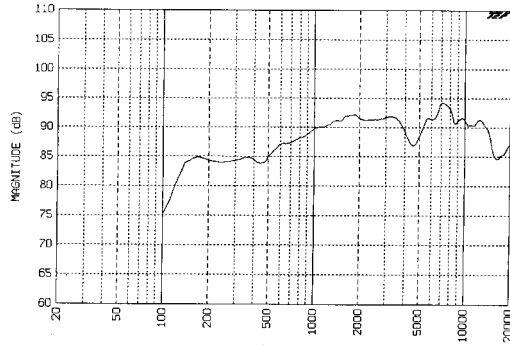
## ARCHITECT AND ENGINEER SPECIFICATIONS

The indoor/outdoor mini-loudspeaker system shall be Atlas Sound Model \_\_\_\_\_ (W115AT, W130AT, W150AT) or approved equal. Assemblies shall consist of two-way woofer and tweeter assembly within environment-resistant housings. The 30 and 50-watt systems shall have a 4" (102mm) woofer constructed of a carbon fiber reinforced polypropylene and a 1" (25mm) ferrofluid tweeter. The 15-watt version shall include a weather-resistant woofer. Each system shall

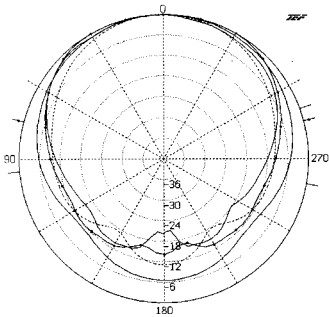
be complete with a built-in, screwdriver-adjustable, 70.7 volt transformer and 8 ohm selector switch. The 30 and 50-watt systems shall be constructed of die-cast aluminum with a textured black or white finish. The 15-watt version shall be mounted within an injection-molded plastic enclosure with a black or white finish. Each unit shall include a stamped Aluminum grille and removable C-shaped mounting bracket.



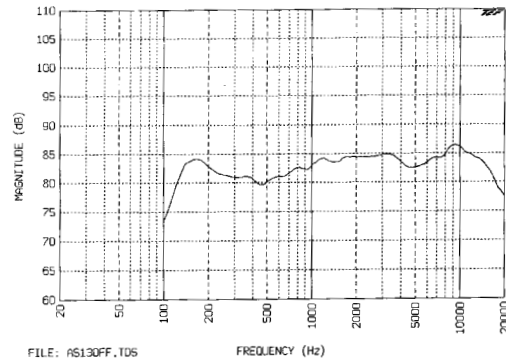
**W115AT System**  
Grid Spacing of 6.00dB  
1000, 2000 and 4000 Hz Octave Bands



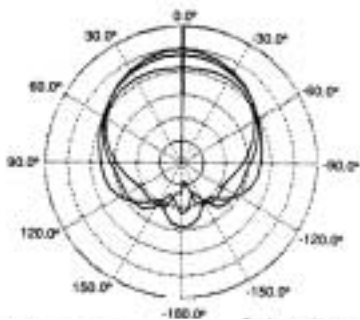
**W115AT Mini-Loudspeaker System**  
Power Rating: 15 Watts  
Sensitivity: 88dB - 1 Watt / 1 Meter



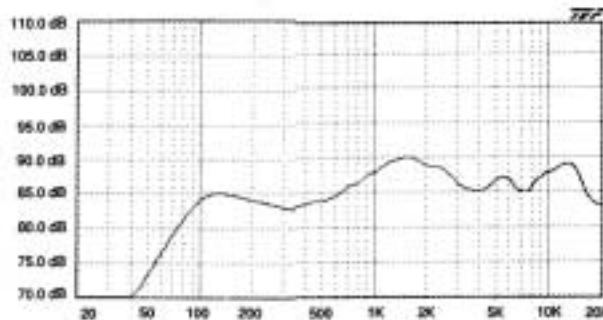
**W130AT System**  
Grid Spacing of 6.00dB  
1000, 2000 and 4000 Octave Bands



FILE: AS130FF.TDS  
**W130AT Mini-Loudspeaker System**  
Power Rating: 30 Watts  
Sensitivity: 84dB - 1 Watt / 1 Meter



**W150AT System**  
Grid Spacing of 6.00dB  
1000, 2000 and 4000 Hz Octave Bands



**W150AT Mini-Loudspeaker System**  
Power Rating: 50 Watts  
Sensitivity: 86dB - 1 Watt / 1 Meter

*Specifications subject to change without notice*



# Northeast Total Communications

Toll free: (800)-362-7542 Fax: (215)-639-2476 E-mail: info@ntcinc.com