



WEATHERPROOF INTERCOM STATIONS WITH CALL ORIGATION

WPVT-SN Series
WPVT-FN Series



WPVT-FN



WPVT-SN

FEATURES

- Environment-resistant paging and intercom stations for outdoor installation include weatherproof call/signal origination switch
- Loudspeaker provides clear and consistent voice and signal transmission
- Power handling selection of 15 and 2-watt models includes optional 25 volt transformer to meet various functional and transmission requirements
- Proven performance reliability of the patented VT Series environment-resistant compression driver
- Available in flush, semi-recessed, and surface-mounting configurations

APPLICATION

Weather-resistant paging, intercom and signaling stations include protected call switch to provide call/signal origination in outdoor applications. Typical installations include guard stations, secured exit and entry ways, perimeter-controlled access doors, garages, educational buildings, recreational facilities, transportation terminals, drive-through services, parking facilities, gates, and wherever environment resistant loudspeakers with signaling capability are a functional and safety consideration.

GENERAL DESCRIPTION

WPVT-FN/WPVT-SN Series are flush and surface-mounting, weatherproof, electro-acoustic signaling devices respectively. They are ruggedly constructed to withstand moisture, corrosion, dust, vibration, and temperature extremes from -30° to 150° F.

Stations include high-intelligibility, environment-resistant compression driver, choice of semi-recessed enclosure or flush face plate, a variety of mounting accessories, and a weather-resistant call button for protected call-in signalling capability. Stations are available in 15 or 2-watt versions with optional 25-volt transformer. The 8-ohm compression driver is the patented VT Series model with water-sealed, die-cast zinc construction and integral, exponential sound projector to provide clear audibility. Call switch is a momentary-action, heavy-duty push button with a contact rating of 3 amps. The call button has a SPDT-type switch which is protected by a weather-resistant rubber boot to provide durable and safe operation in outdoor and high humidity environments.

WPVT-SN Series are compact assemblies size 4¼" SQ x 3⅝" D (108 x 79mm) which are designed for semi-recessed installation. WPVT-FN Series are attractively designed face plates size 6" SQ x 3⅝" D (152 x 81mm) for flush installations. Both styles will accept a variety of mounting accessories to meet varying installation requirements (see back page). Enclosures and face plate are die-cast construction finished in neutral grey epoxy.

ARCHITECT AND ENGINEER SPECIFICATIONS

Environment-resistant paging and intercom loudspeaker(s) shall be Atlas Sound Model(s) _____ (WPVT-SN, WPVT-FN) or approved equal. Station(s) shall be comprised of an 8-ohm, water-sealed environment-resistant compression driver in die-cast zinc housing mounted to a semi-recessed mounting enclosure or a flush mounting face plate of die cast construction. Assembly shall incorporate a heavy duty SPDT-type action push button switch with a contact rating of 3 amps. Switch shall be protected by a weather-resistant rubber boot. Assembly shall withstand moisture, corrosion, dust, vibration and temperature extremes of 150° to -30° F. Power rating shall be 15 watts (2 watts) and shall include a 25 volt transformer with 2 & 1 watt taps. Frequency response range shall be 600-5500 kHz. Sensitivity of microphone shall be a minimum of -26 dBm. Mounting accessories shall include Atlas Sound model SEN, SIN, SFPN, FP, AR, or MR as specified or shown on blueprints.

MODEL*	POWER RATING	XFMR	POWER TAPS	SPL**	FREQUENCY RESPONSE	SENSITIVITY AS MICROPHONE	WEIGHT
WPVT-1SN	15 Watts (8 Ohms)	—	—	102dBA	600-5500Hz	-26dBm	3.25 lbs. (1.5kg.)
WPVT-1FN	15 Watts (8 Ohms)	—	—	102dBA			3.25 lbs. (1.5kg.)
WPVT-4FN	15 Watts (8 Ohms)	—	—	102dBA			3.25 lbs. (1.5kg.)
WPVT-4SN	15 Watts (8 Ohms)	—	—	102dBA			3.25 lbs. (1.5kg.)
WPVT-6SN	2 Watts	25 Volts	2 & 1	93dBA			3 lbs. (1.4kg.)
WPVT-6FN	2 Watts	25 Volts	2 & 1	93dBA			3 lbs. (1.4kg.)

* SN suffix denotes surface mounting style; FN denotes flush. ** Measured from 10 ft. at rated power.

Specifications subject to change without notice

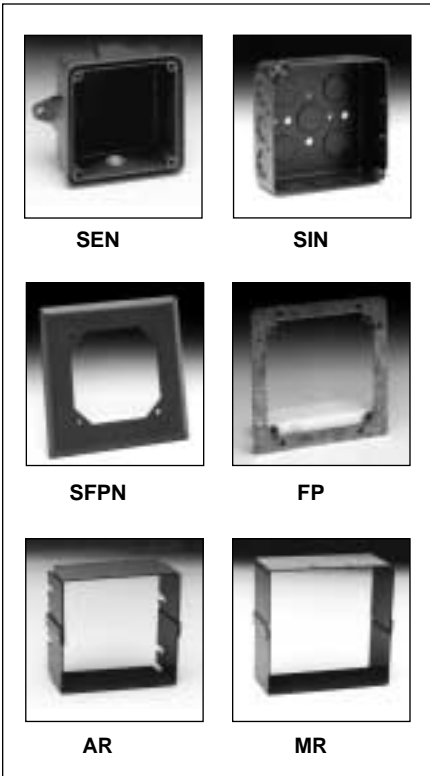


Northeast Total Communications

Toll free: (800)-362-7542 Fax: (215)-639-2476 E-mail: info@ntcinc.com

EIGHT

351



OPTIONAL MOUNTING ACCESSORIES

SEN. Weather-resistant backbox allows for outdoor installation of semi-recessed loudspeaker station Model WPVT-SN. Housing is die-cast zinc with neutral grey epoxy finish and measures 4 1/4" SQ. x 2" D (108 x 51mm). Unit is tapped for 1/2" (13mm) conduit and includes weather-resistant gasket. Weight is .75 lbs (.35 kg).

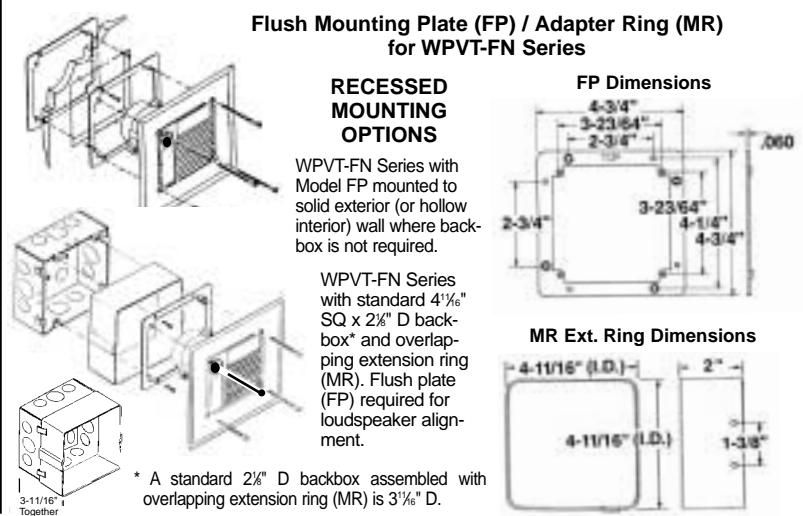
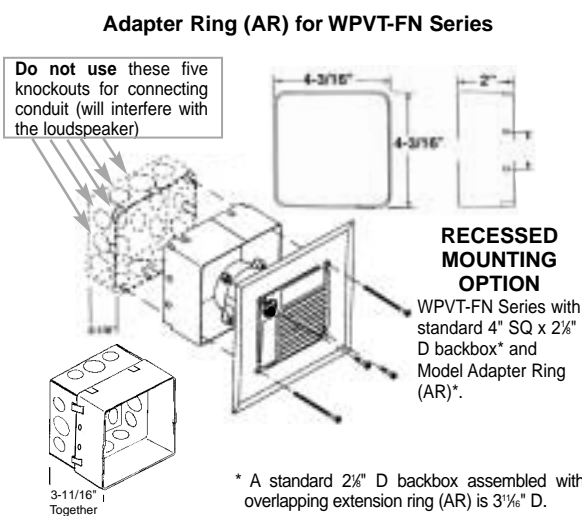
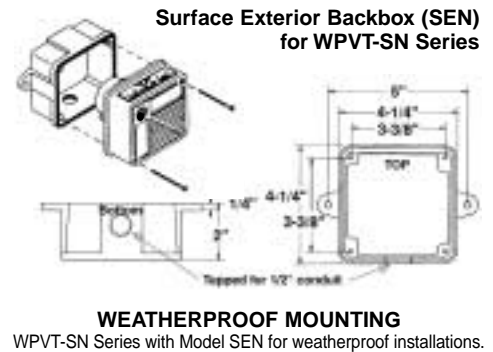
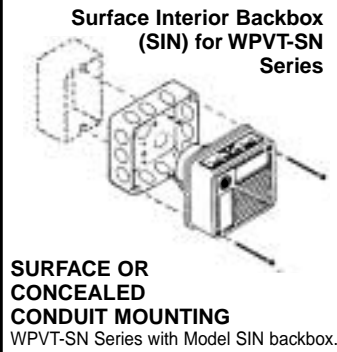
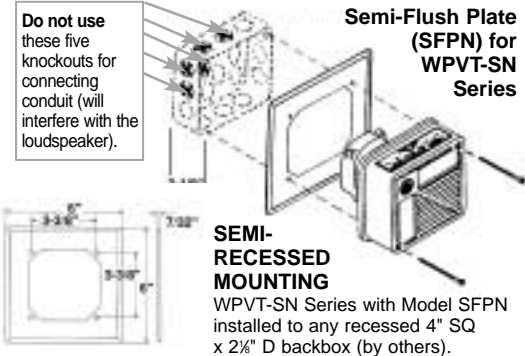
SIN. Backbox for surface installation of Model WPVT-SN is designed for indoor applications where a high-efficiency intercom station with call origination is required. Backbox mounts to any recessed single or double gang backbox designed for concealed conduit installation. CRS unit measures 4" SQ. x 1 1/2" D (102 x 38mm) and includes 1/2" (13mm) knockouts. Weight is .7 lbs (.3kg). Finish is neutral grey epoxy.

SFPN. Semi-flush adapter plate size 6" SQ (152mm) mounts behind semi-recessed intercom station Model WPVT-SN to cover a recessed 4" SQ x 2 1/2" D (102 x 54mm) outlet box. CRS wall plate is stamped and painted. Weight is .5 lbs (.2 kg). Finish is neutral grey epoxy.

FP. Flush adapter plate allows recessed installation of WPVT-FN Series loudspeakers to a standard backbox size 4 1/8" SQ x 1 1/2" D (119 x 38mm) or to a solid exterior or hollow interior wall surface where a backbox is not required. Weight is .4 lbs (.18kg). Adapter is stamped CRS construction.

AR. Adapter ring provides necessary extension for recessing WPVT-FN Series loudspeakers to any 4" SQ. x 2 1/2" D (102 x 54mm) E.O. Box. Welded steel collar is 2" (51mm) deep (3/8" deep when assembled and will fit a standard 4" stud wall). Assembly includes four "S" clips. Weight is .6 lbs (.27 kg). Finished in neutral grey.

MR. Mounting ring provides the necessary extension for recessing WPVT-FN Series loudspeakers to any 4 1/8" SQ. x 2 1/2" D (119 x 57mm). The backbox is 2" (51mm) deep and includes clips. Weight is .7 lbs (.3 kg). Steel ring is finished in neutral grey.



Specifications subject to change without notice



Northeast Total Communications

Toll free: (800)-362-7542 Fax: (215)-639-2476 E-mail: info@ntcinc.com