



# PROJECTOR HORNS FOR UNIFORM SOUND DISPERSIONS

DR Series

TWO



DR Series

## FEATURES

- Multi-Purpose Reflex Sound Horns for High Intelligibility Sound Distribution and Voice and Signal Applications
- Accepts All Standard High Efficiency Compression Drivers with 1½" - 18 Male Threads
- Exponentially-Flared for Uniform Sound Distribution
- Weatherproof, All-Metal Construction for Year Round Use

## APPLICATIONS

DR Series double re-entrant horns have proven their capability and ruggedness in permanent and temporary applications in recreational, commercial and industrial applications for over sixty years. When used with PD or SD Series compression drivers, they assure intelligible audio transmission over long distances or through high background noise levels and are consistently recommended for sport facilities, amusement parks, church towers, warehouses, factories, military sites, transportation terminals and other environmentally-demanding locations.

## GENERAL DESCRIPTION

Atlas Sound DR Series double re-entrant horns are designed for use with compression driver units to offer superior music and voice communications over distance and ambient noise. The circular projectors are equipped with a resonance damping ring for best response through an extended frequency range. Weather-resistant units will accommodate Atlas Sound PD and SD Series compression drivers or any driver with standard 1½" -18 male thread coupling. The integral "U-type" steel mounting bracket provides maximum directional aiming flexibility and enhances installation capability when used outdoors or in industrial environments. The rugged all-metal, exponentially-flared horns are finished in durable grey epoxy. Atlas Sound Model SS33E loudspeaker stand with SSA Series adapters are recommended for temporary installation of DR Series projector loudspeakers (see SL11-1389 and SL11-1357 for information). Loudspeaker stands feature telescoping action, positive-locking hardware and diecast safety collar and offer vertical extension range from 5 to 8 feet (1524 to 2438mm) height.

MODELS	DISPERSION	LOW END CUT-OFF	AIR COLUMN LENGTH	SOUND LEVEL*	DIRECTIVITY FACTOR (Q)**	WEIGHT
DR-32	95°	190 Hz	2½' (762 mm)	*	10.7	11 lbs. (4.9 kg.)
DR-42	85°	140 Hz	3½' (1067mm)	*	14.7	13 lbs. (5.9 kg.)
DR-54	75°	115 Hz	4½' (1372mm)	*	16.8	20 lbs. (9.0 kg.)
DR-72	65°	85 Hz	6½' (1981mm)	*	19.3	25 lbs. (11.3 kg.)

\* Determined by associate compression driver (see chart on reverse side of this sheet).

\*\* One octave band of pink noise at 1 kHz.

Specifications subject to change without notice



# Northeast Total Communications

Toll free: (800)-362-7542 Fax: (215)-639-2476 E-mail: info@ntcinc.com

153

## ARCHITECT AND ENGINEER SPECIFICATIONS

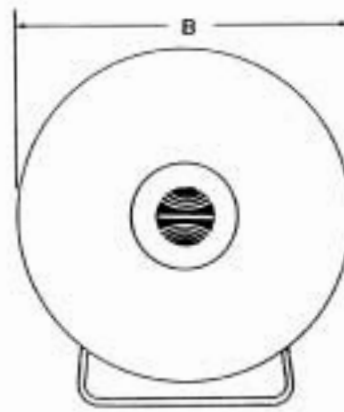
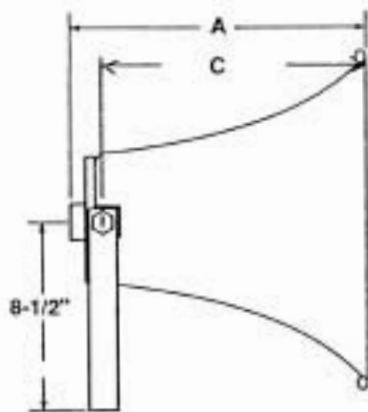
The reflex sound projector shall be Atlas Sound Model \_\_\_\_\_ (Model DR-32, DR-42, DR-54 or DR-72) or approved equal. The weatherproof exponential-flared unit shall have a rated low frequency cut-off of \_\_\_\_\_ and sound dispersion of \_\_\_\_\_. Air column length shall be \_\_\_\_\_. It shall accommodate compression driver units

with standard 1/8" -18 male threads. The horn, less driver shall measure \_\_\_\_\_ and weigh \_\_\_\_\_. "U-type" steel mounting bracket shall be provided (for mounting). Finish shall be grey epoxy.

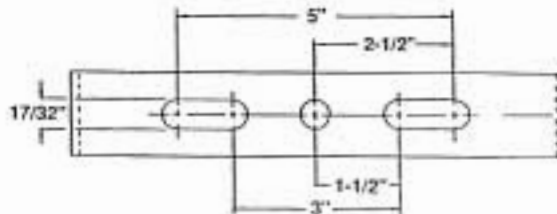
<b>ACCESSORIES:</b>	SS-40X / SS-70X	Variable Height 48" - 72"H and 60" - 96"H Loudspeaker/ Equipment Stands
	SS-100X	Lightweight Variable Height 60" - 90"H Loudspeaker/Equipment Stand
	SSA Series	Top adapters for SS Series Loudspeaker/Equipment Stands

SOUND PRESSURE LEVELS OF DR SERIES MODELS WITH Atlas Sound COMPRESSION DRIVERS				
MODEL	MODEL PD-30T	MODEL PD-5VH/PD-5VT	MODEL PD-60/PD-60T	SD-70
DR-32	124dB	124dB	130dB	129dB
DR-42	125dB	125dB	131dB	130dB
DR-54	125dB	127dB	132dB	132dB
DR-72	127dB	129dB	135dB	134dB

DR SERIES DIMENSIONS			
MODEL	A	B	C
DR-32	12½" (319mm)	16½" (419mm)	10½" (267mm)
DR-42	16" (406mm)	21" (533mm)	13¾" (349mm)
DR-54	19" (483mm)	26" (660mm)	17" (432mm)
DR-72	28" (711mm)	31" (787mm)	24¼" (616mm)



**MOUNTING BRACKET DIMENSIONS**



*Specifications subject to change without notice*



# Northeast Total Communications

Toll free: (800)-362-7542    Fax: (215)-639-2476    E-mail: info@ntcinc.com