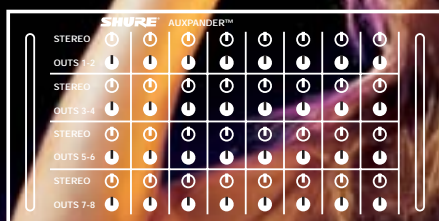


SHURE[®]

AuxPander

Auxiliary Expander 8x8



AuxPander[™]

Expand Your Mixing Power

EXTEND a mixing console's auxiliary send capabilities

INCREASE the number of channels available for mixing

CREATE multiple personal monitor mixes



Balance Controls

Pan the input signals between the left and right channels of a stereo output.

Level Controls

Increase or decrease the volume of each of the eight input signals. Route signals to any of the eight outputs at any level and in any combination.

Create individual mixes.

One black box. Eight output busses. Countless mix options.

Infrastructure for the Personal Monitor revolution.

Personal Monitors (PSM®) are rapidly becoming the monitoring solution of choice for live performers. The demand for auxiliary outputs to serve those systems can quickly outstrip the supply on most small to medium-size mixing boards. How to feed this output hungry environment? With an AuxPander™, you can boost the output abilities of existing mixing consoles to eight busses without investing in a dedicated monitor console or a bulky, complex large frame mixing board. AuxPander is an easy-to-use, analog mixing matrix that will grow and adapt with your system.

Analog simplicity
Familiar, affordable, flexible
and reliable way to route
input signals.

Internal power supply
Minimizes stray hums and
other interference. Eliminates
bulky exterior power supplies.

Rack mounts included
AuxPander fills only four
spaces in a standard 19" rack.

Extra Features



Direct Input Jacks

Expand input channels ("daisy chain") while keeping the same number of mixed outputs. For example, connect one AuxPander to another to create a 16x8 matrix.

Output Jacks

These four pairs of balanced, line-level 1/4" jacks carry the mix created by the controls on the front panel.

Control each input signal.

Insert Jack

Integrate serial processors (compressors, gates, equalizers, etc.) in a particular signal path.

Insert Assign Switches

Once a processor is connected to AuxPander, it can affect the AuxPander inputs, the console inputs, or both via the Insert Assign Switch.

Global Mode

Both AuxPander and the mixing board receive the processed signal.

Local Mode

Only AuxPander receives the processed signal and the console's inputs are unaffected.

Remote Mode

Only the mixing board receives the processed signal while the AuxPander inputs are unaffected.

Tip Assign Switch

When using 1/4" TRS cables, some consoles use the tip conductor as the send (tip-send) and others use the ring conductor (ring-send). AuxPander in/out jacks are compatible with both via the Tip Assign Switch.

In/Out Jack

A single jack, rather than dedicated "In" and "Out" jacks, receives and returns signals from the mixer, eliminating the need for Y-cables. One conductor on a 1/4" TRS cable jack receives signals. The other returns them. So connections to a console's insert points can easily be made with a TRS-TRS cable.

IN

Use this setting with "tip-send" inserts. (Tip is input to AuxPander)

OUT

Use this setting with "ring send" inserts. (Tip is output from AuxPander)

Direct those signals.

Mixing bored? No more.

AuxPander offers endless options for mix and signal path creativity. Craft personal monitor mixes for an individual or an entire band. Add users and resources to your mix quickly and easily - night after night, gig to gig. AuxPander also strengthens every link in the production chain. House sound or recording engineers can easily accommodate special recording and monitoring requests. Bands traveling with an AuxPander can ensure a uniform monitoring environment from rehearsal to a gig. No matter what mixing equipment or engineer awaits on tour, just plug and play.

Interface but don't interfere.

AuxPander taps up to eight input signals from a standard mixing console through its insert points. It then provides up to four stereo or eight mono auxiliary mixes and a new insert point without disrupting the levels established at the front of house soundboard.

Example AuxPander to PSM® setup configuration

Increase your outputs

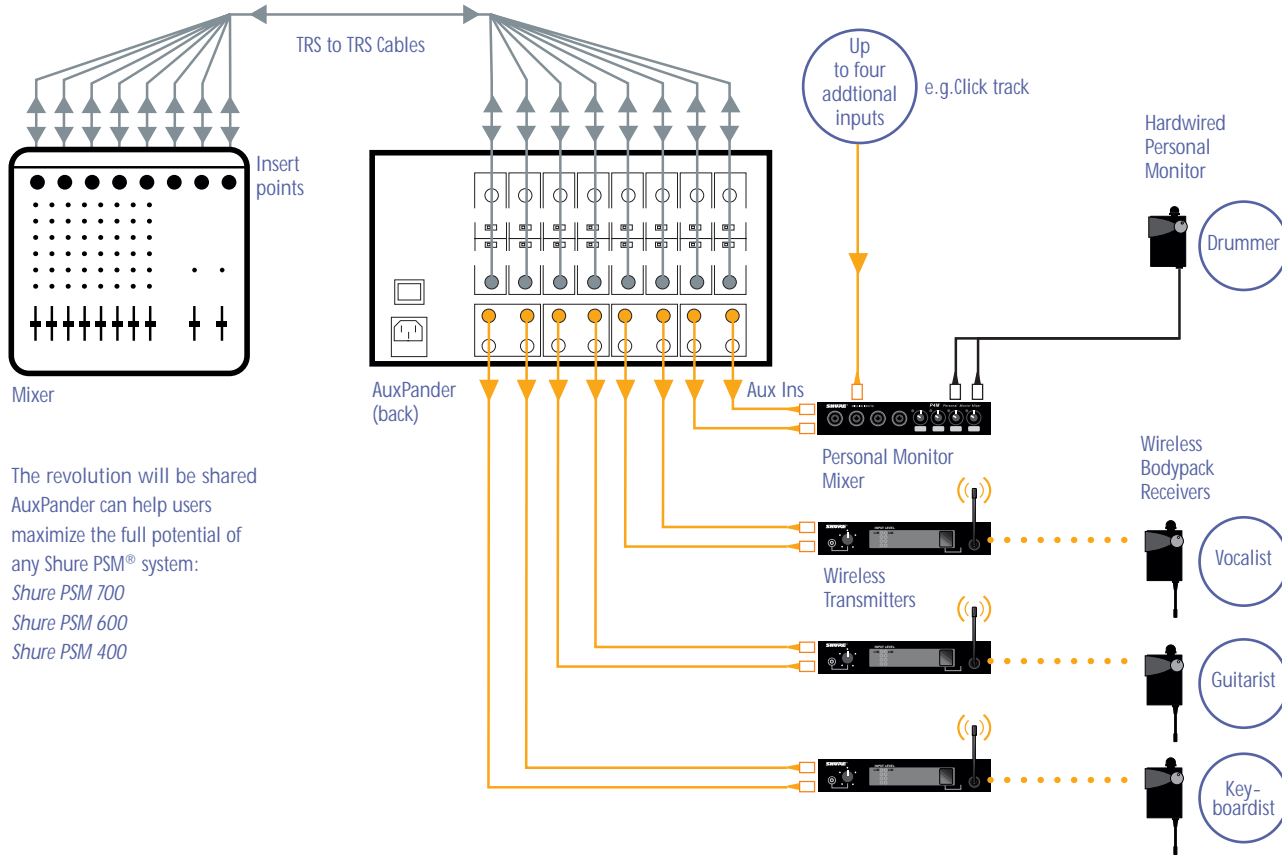
AuxPander is ideal for use with most small to mid-size mixing boards that rarely have more than four auxiliary outputs. AuxPander accesses signals from the board's insert points.

Create individual PSM mixes

Receive up to 8 signals from the house mixing board using a multi-cable snake or individual cables. These signals can be used to create multiple individual mixes.

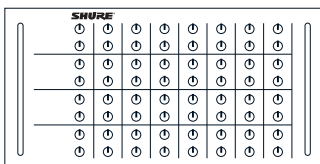
Send those PSM mixes

No matter how many Aux Outs are available on a mixing board, up to four separate stereo monitor mixes can be crafted with an AuxPander and sent to four individual personal monitors.



The revolution will be shared
 AuxPander can help users maximize the full potential of any Shure PSM® system:
 Shure PSM 700
 Shure PSM 600
 Shure PSM 400

AuxPander



Frequency Response	20 Hz to 20 kHz ±1dB
Dynamic Range	100 dB
Maximum Input Level	21 dBu
Nominal Input Impedence	>10 kΩ
Channel Gain	+12 db (level knob at maximum) 0dB (level knob centered)
Maximum THD at 1kHz	0.01% (A-weighted)
Maximum Crosstalk (adjacent channels)	60dB (1 kHz at 0 dBu)
Power Supply	AuxPander 110Vac ±10% AuxPanderE™/UK 230Vac ±10%
Direct Inputs	Balanced Inputs Tip Positive
Dimensions	7" (177.8mm) H x 19" (482.6mm) W x 11" (279.4mm) D



Northeast Total Communications

Toll free: (800)-362-7542 Fax: (215)-639-2476 E-mail: info@ntcinc.com